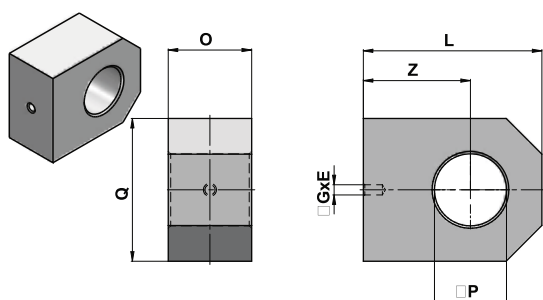
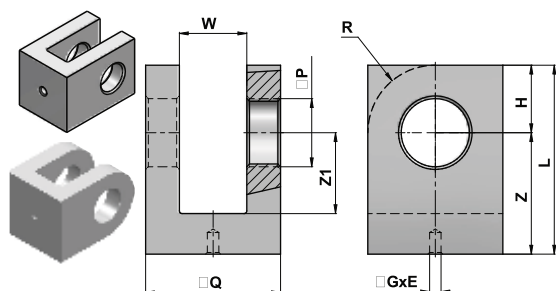


## Flansa sudabila COF



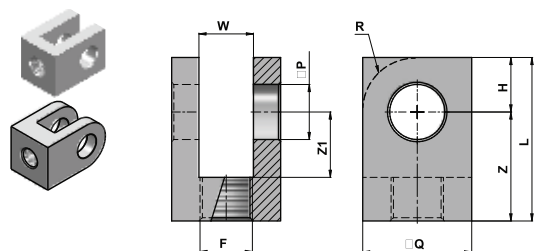
Codice Code Bestell-Nr.	ØP	Q	O	Z	L	ØGxE	kg
COF1600000	16,20	35	20	25	42	Ø 4,25 x 8	0,18
COF2000000	20,25	45	25	30	50	Ø 4,25 x 8	0,35
COF2500000	25,25	50	30	35	60	Ø 4,25 x 8	0,56
COF3000000	30,25	60	35	45	75	Ø 4,25 x 8	0,97
COF3500000	35,25	70	40	55	90	Ø 4,25 x 8	1,60
COF4000000	40,25	70	40	60	95	Ø 4,25 x10	1,50

## Flansa sudabila CFS



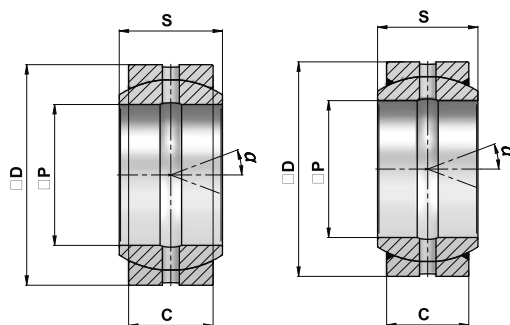
Cod	ØP	□Q	W	Z	Z1	H	L	R	ØGxE	kg
CFS0000016	16,20	35	16	34	24	16	50	-	Ø 4,25 x 6	0,27
CFS0000020	20,25	40	20	40	30	20	60	-	Ø 4,25 x 6	0,38
CFS0000025	25,25	50	25	45	30	25	70	-	Ø 4,25 x 8	0,71
CFS0000030	30,25	60	30	50	35	30	80	30	Ø 4,25 x 8	1,10
CFS0000035	35,25	70	35	55	40	35	90	35	Ø 4,25 x 8	1,60
CFS0000040	40,25	80	40	70	50	40	110	40	Ø 4,25 x 10	2,70

## Flansa sudabila CFF



Code	ØP	□Q	W	Z	Z1	H	L	R	F	kg
CFF0161615	16,20	35	16	39	24	16	55	-	M16x1,5	0,30
CFF0202015	20,25	40	20	45	30	20	65	-	M20x1,5	0,40
CFF0252420	25,25	50	25	50	30	25	75	-	M24x2	0,75
CFF0303020	30,25	60	30	65	35	30	95	30	M30x2	1,46
CFF0353320	35,25	70	35	75	40	35	110	35	M33x2	1,67
CFF0403320	40,25	80	40	85	50	40	125	40	M33x2	3,20

## Articulație sferică GEDO / GEDO2RS



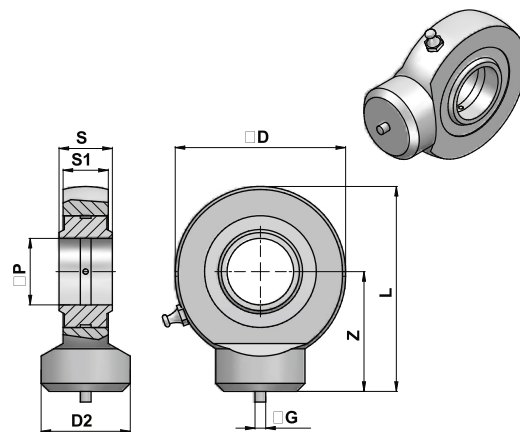
TIP DO

TIP DO...2RS

Cod Tip DO	Cod Tip DO...2RS	ØP	ØD	S	C	α	FC (kN)	kg
*CGE0120000	-	12	22	10	7	11	10,8	0,01
CGE0150000	CGE0001425	15	26	12	9	8	17	0,02
CGE0160000 (A)	-	16	30	14	10	10	21,2	0,03
CGE0170000	CGE0001426	17	30	14	10	10	21,2	0,04
CGE0200000	CGE0001427	20	35	16	12	9	30	0,06
CGE0250000	CGE0001428	25	42	20	16	7	48	0,11
CGE0300000	CGE0001429	30	47	22	18	6	62	0,14
CGE0350000	CGE0001430	35	55	25	20	6	80	0,22
CGE0400000	CGE0001431	40	62	28	22	7	100	0,30
CGE0450000	CGE0001432	45	68	32	25	7	127	0,40
CGE0500000	CGE0001433	50	75	35	28	6	156	0,54
CGE0600000	CGE0001434	60	90	44	36	6	245	1,00
CGE0700000	CGE0001435	70	105	49	40	6	315	1,50
CGE0800000	CGE0001436	80	120	55	45	6	400	2,20
CGE0900000	CGE0001437	90	130	60	50	5	490	2,70
CGE1000000	CGE0001438	100	150	70	55	7	610	4,30
CGE1100000	CGE0001439	110	160	70	55	6	655	4,70
CGE1200000	CGE0001440	120	180	85	70	6	950	8,00

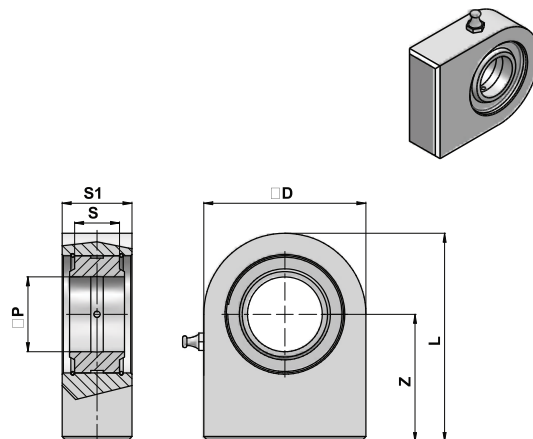
## Articulație sferică sudabilă pe tijă CSTS...C

Cod	ØP	Z	S	ØD	S1	L	ØD2	ØG	FC (kN)	kg
*CSTS010C00	10	24	9	29	7	38,5	15	3	8,15	0,04
*CSTS012C00	12	27	10	34	8	44	17,5	3	10,8	0,06
**CSTS015C00	15	31	12	40	10	51	21	4	17	0,12
CSTS016C00 (A)	16	35	14	46	11	58	24	4	19	0,17
**CSTS017C00	17	35	14	46	11	58	24	4	21,2	0,18
CSTS020C00	20	38	16	53	13	64,5	27,5	4	30	0,26
CSTS025C00	25	45	20	64	17	77	33,5	4	48	0,45
CSTS030C00	30	51	22	73	19	87,5	40	4	62	0,67
CSTS035C00	35	61	25	82	21	102	47	4	80	1,02
CSTS040C00	40	69	28	92	23	115	52	4	100	1,40
CSTS045C00	45	77	32	102	27	128	58	6	127	1,93
CSTS050C00	50	88	35	112	30	144	62	6	156	2,69
CSTS060C00	60	100	44	135	38	167,5	70	6	245	4,60
CSTS070C00	70	115	49	160	42	195	80	6	315	7,00
CSTS080C00	80	141	55	180	47	231	95	6	400	11,00



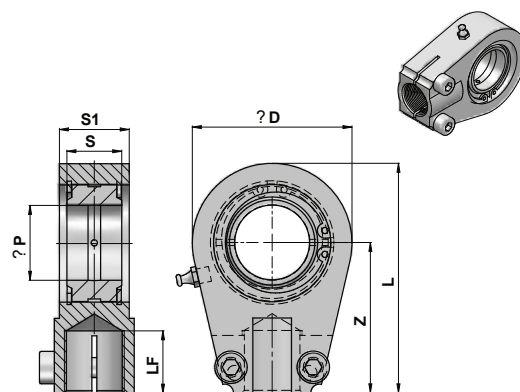
## Articulație sferică sudabilă pe spatele cilindrului CSTS...N

Cod	ØP	Z	S	ØD	S1	L	FC (kN)	kg
CSTS015N00	15	31	12	45	16	53,5	17	0,22
**CSTS016N00	16	35	14	48	17,5	59	21,2	0,29
CSTS017N00	17	35	14	48	17,5	59	21,2	0,29
CSTS020N00	20	38	16	50	19	63	30	0,36
CSTS025N00	25	45	20	55	23	72,5	48	0,53
CSTS030N00	30	51	22	65	28	83,5	62	0,85
CSTS035N00	35	61	25	83	30	102,5	80	1,50
CSTS040N00	40	69	28	100	35	119	100	2,42
CSTS045N00	45	77	32	110	40	132	127	3,39
CSTS050N00	50	88	35	123	40	149,5	156	4,24
CSTS060N00	60	100	44	140	50	170	245	7,10
CSTS070N00	70	115	49	164	55	197	315	10,70
CSTS080N00	80	141	55	180	60	231	400	15,10
CSTS090N00 (1)	90	150	60	226	65	263	490	23,40
CSTS100N00 (1)	100	170	70	250	70	295	610	33,10
CSTS110N00 (1)	110	185	70	295	80	332,5	655	48,50
CSTS120N00 (1)	120	210	85	360	90	390	950	79,50



## Articulație sferică filetată CSTAPR...U

Cod	ØP	Z	S	ØD	S1	L	F	LF	FC (kN)	kg
CSTAPR020U	20	50	16	56	19	80	M16x1,5	17	30	0,44
CSTAPR025U	25	50	20	56	23	80	M16x1,5	17	48	0,47
CSTAPR030U	30	60	22	64	28	94	M22x1,5	23	62	0,77
CSTAPR035U	35	70	25	78	30	112	M28x1,5	29	80	1,24
CSTAPR040U	40	85	28	94	35	135	M35x1,5	36	100	2,12
CSTAPR050U	50	105	35	116	40	168	M45x1,5	46	156	3,74
CSTAPR060U	60	130	44	130	50	200	M58x1,5	59	245	6,49
CSTAPR070U	70	150	49	154	55	232	M65x1,5	66	315	9,88
CSTAPR080U	80	170	55	176	60	265	M80x2	81	400	14,20
CSTAPR090U (**)	90	210	60	206	65	322	M100x2	101	490	20,00
CSTAPR100U (**)	100	235	70	231	70	360	M110x2	111	610	27,50
CSTAPR110U (**)	110	265	70	266	80	407,5	M120x3	125	655	45,60
CSTAPR120U (**)	120	310	85	340	90	490	M130x3	135	950	72,00



## Articulație cap sferic CSB

Cod	ØSF	ØD2	ØD	L	H	L1	FC (kN)	kg
CSB0500000	50	40	85	82	45	20	68,6	2,20
CSB0600000	60	50	98	100	50	25	107,8	3,40
CSB0700000	70	60	105	115	60	30	132,3	4,80

