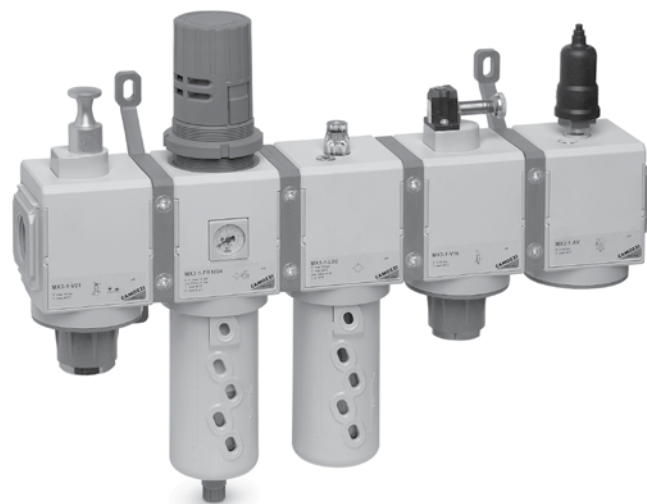


Assembled FRL Series MX

New

Ports G3/4, G1
 Assembly through rapid clamps



- » Compact design
- » Dimensions optimization
- » Great reliability
- » Easy and quick maintenance
- » Reduced weight

The new FRL Series MX can be easily assembled through rapid clamps which allow the connection among single components creating an unlimited number of compositions. The FRL groups Series MX are also available in the already mounted version (with a single code).

The use of three different types of rapid clamps (standard, with wall fixing screws or with brackets) allows an easy mounting of the assembled groups and to carry out maintenance operations on the single components with no need to disassemble the group.

GENERAL DATA

Construction	modular, compact
Materials	see catalogue pages referring to the single component
Ports	G3/4 - G1
Mounting	vertical in-line wall-mounting (by means of clamps) panel mounting
Operating temperature	-5°C + 50°C up to 16 bar (according to the single component characteristics) -5°C + 60°C up to 10 bar (according to the single component characteristics)

3

TREATMENT

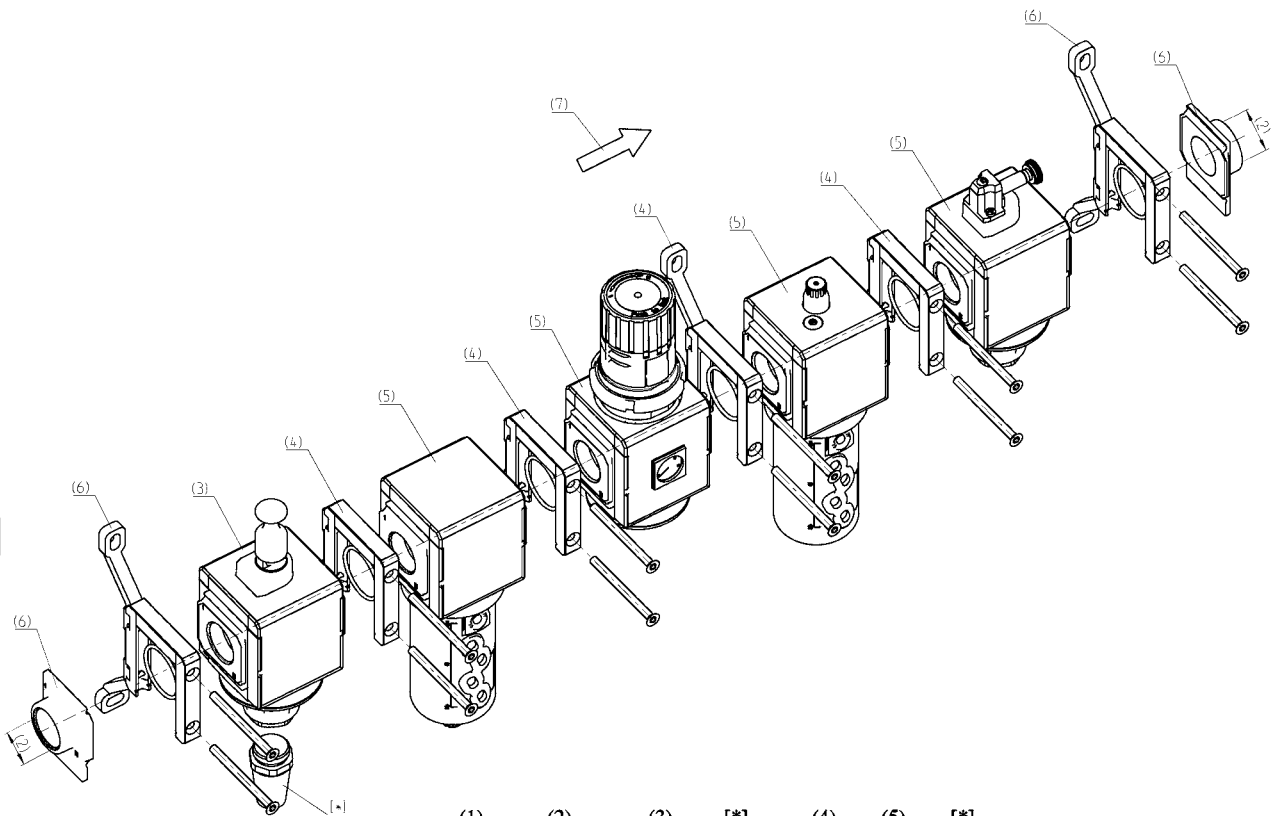
CONFIGURATION OF ASSEMBLED GROUPS SERIES MX

New

TO CONFIGURE THE ASSEMBLED GROUPS SERIES MX, USE THE HERE BELOW EXAMPLE AND THE RELATED LEGEND ON PAGE 3/1.50.03.

Configuration of the assembled group in the drawing below:

MX3-1-V01+A36XF00XR004YL00XV16-KK



	(1)	(2)	(3)	[*]	(4)	(5)	[*]	
	MX	3	-	1	V01	+A36	X	F00
n_x							X	R004
							Y	L00
↓							X	V16
					(6)	[**]		(7)
							KK	

CONFIGURATOR OF ASSEMBLED GROUPS SERIES MX

MX	3	-	1	-	V01	X	F00	-	KK	-	LH
-----------	----------	----------	----------	----------	------------	----------	------------	----------	-----------	----------	-----------

MX		SERIES
3	(1)	SIZE: 3 = G3/4 - G1
-		
1	(2)	IN / OUT THREADS: 3/4 = G3/4 1 = G1
-		
V01	(3)	MODULE + [*] (for the modules configuration, see pages referring to the single component): F... = Filter FC... = Coalescing filter FCA... = Activated carbons filter R... = Pressure regulator L... = Lubricator FR... = Filter-Regulator V... = Lockable isolation valve AV... = Soft start valve B... = Take-off block (G1 only)
	[*]	The following ACCESSORIES can be added after every single module: REGULATOR AND FILTER-REGULATOR +A59 = M063-P04 (Pressure gauge) +A60 = M063-P06 (Pressure gauge) +A61 = M063-P12 (Pressure gauge) LOCKABLE ISOLATION VALVE +A34 = 2901 3/4" (Silencier) +A35 = 2921 3/4" (Silencier) +A36 = 2931 3/4" (Silencier) SOFT START VALVE +A00 = PM11-NA (Pressure switch, normally open) +A01 = PM11-NC (Pressure switch, normally closed) TAKE-OFF BLOCK +A06 = PM11-NA (normally open pressure switch) with fitting for fixing to the module +A07 = PM11-NC (normally closed pressure switch) with fitting for fixing to the module +A02 = PM11-SC with fitting for fixing to the module
X	(4)	MODULES CONNECTION (according to the positioning scheme on page 3/1.50.04): X = Rapid clamp kit Z = Rapid clamp kit with wall fixing screw Y = Rapid clamp kit with wall fixing brackets
F00	(5) + [*]	see MODULE (3)
-		
KK	(6)	TERMINAL CONNECTIONS + [**] (according to the positioning scheme on page 3/1.50.04): = no terminal connection HH = n° 1 rapid clamp kit with flanges (IN / OUT) JJ = n° 1 rapid clamp kit with wall fixing screws + flanges (IN / OUT) KK = n° 1 rapid clamp kit with wall fixing brackets + flanges (IN / OUT)
	[**]	WALL CONNECTION: REGULATOR and FILTER-REGULATOR S = Bracket (only with clamps mod. X o HH) Codes examples: MX3-1-R..XV...S; MX3-1-R..XV...HSH
-		
LH	(7)	FLOW DIRECTION: = from left to right (standard) LH = from right to left
	(4) + (5) + [*]	REPEATABLE COMBINATION for a "n" number of times

3

TREATMENT

Wall fixing - mounting dimensions and positioning scheme

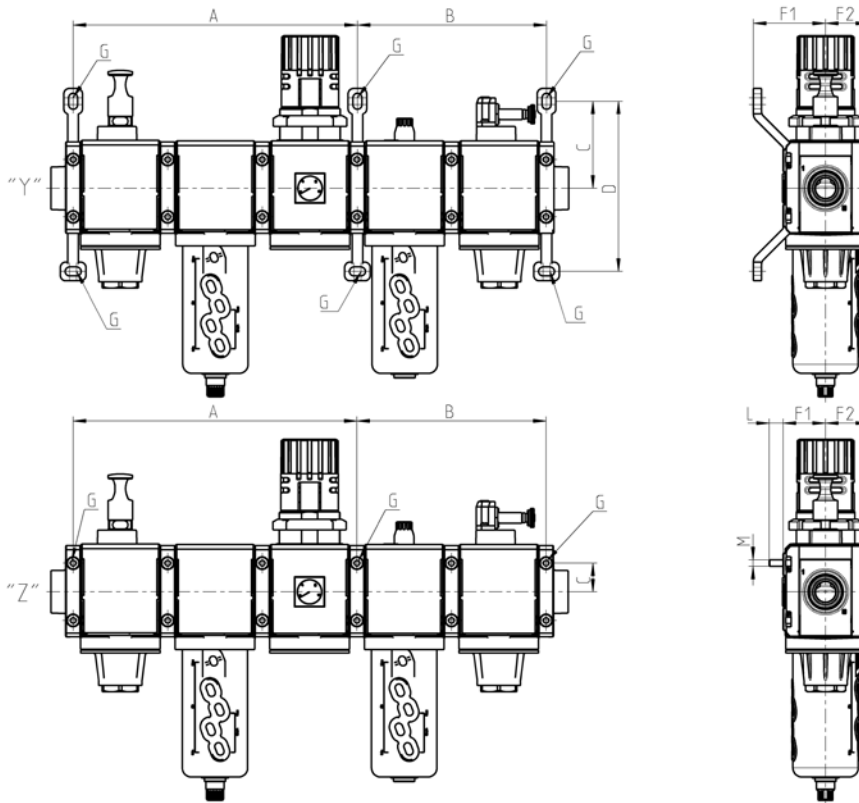
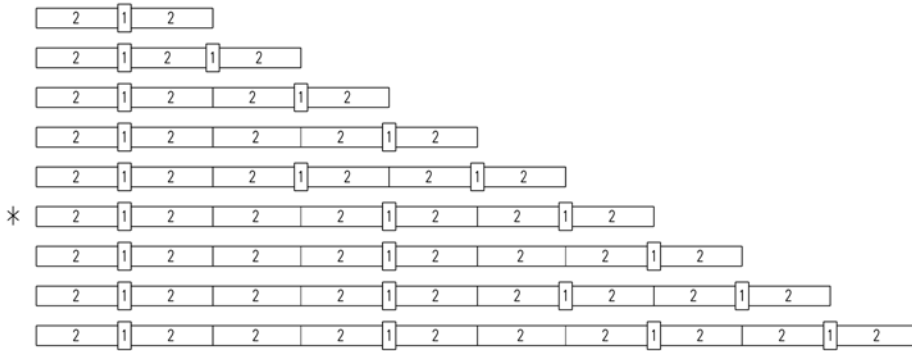
New

Legend of the POSITIONING SCHEME:

- 1 = rapid clamp with wall fixing screw
or with wall fixing bracket
- 2 = module / flange

* POSITIONING SCHEME referring to drawings "Y" and "Z".

Legend of the ASSEMBLED GROUPS DRAWINGS:
 "Y" = with rapid clamps with wall fixing brackets (MX3-Y)
 "Z" = with rapid clamp with wall fixing screws (MX3-Z)
 G = fixing point



Mod.	A	B	C	D	F1	F2	L	M
MX3-Y	267	178	82	160	68	40,5	-	-
MX3-Z	267	178	27	-	40,5	40,5	13	M6

CODING EXAMPLE

MX	3	-	3/4	-	0...1
-----------	----------	----------	------------	----------	--------------

MX	SERIES
3	SIZE: 3 = G3/4 - G1
3/4	PORTS: 3/4 = G3/4 1 = G1
000001	GROUP COMPOSITION: 000001 = F10 + R004 + L00 000002 = FR1004 + L00 000003 = V01 + FR1004 + L00 000004 = V01 + FR1004 000005 = FR1004 + V16 + AV 000006 = FR1004 + L00 + V16 + AV 000007 = V01 + FR1004 + V16 + AV 000008 = V01 + FR1004 + L00 + V16 + AV + PRESS. NO 000009 = V01 + FR1004 + L00 + V16 + AV + PRESS. NC 000010 = V01 + FR1004 + V16 + AV + PRESS. NO 000011 = V01 + FR1004 + V16 + AV + PRESS. NC 000012 = F13 + FC03

3

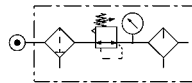
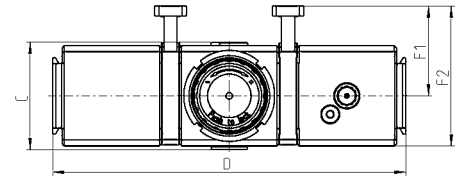
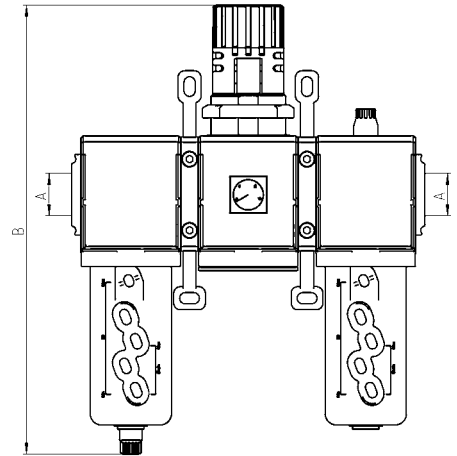
TREATMENT

Composition of the assembled group 000001

Components:
Filter
Regulator
Lubricator



New



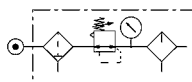
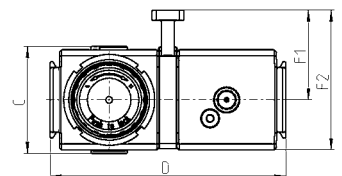
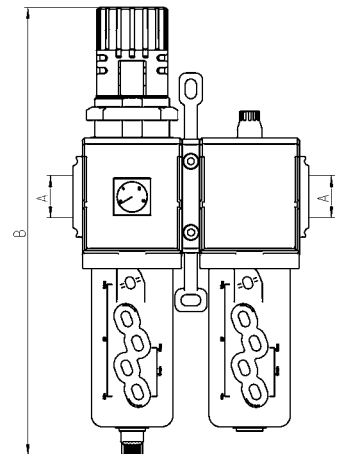
Mod.	A	B	C	D	F1	F2
MX3-3/4-000001	G3/4	345	81	268,5	68	106
MX3-1-000001	G1	345	81	268,5	68	106

Composition of the assembled group 000002

Components:
Filter-regulator
Lubricator



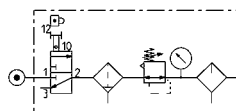
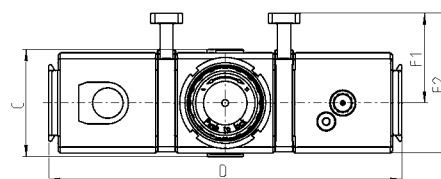
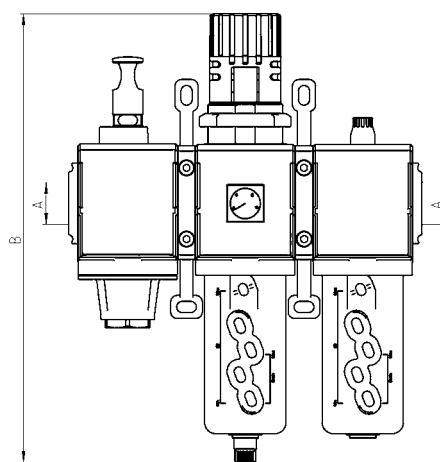
New



Mod.	A	B	C	D	F1	F2
MX3-3/4-000002	G3/4	345	81	179	68	106
MX3-1-000002	G1	345	81	179	68	106

Composition of the assembled group 000003

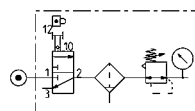
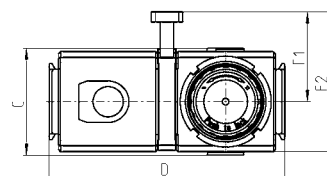
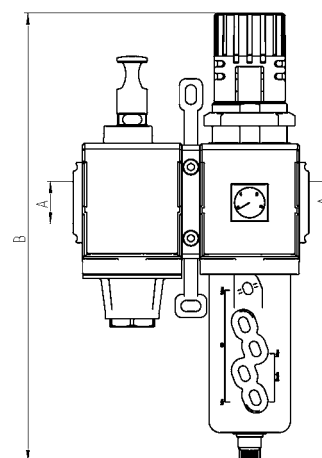

Components:
 Lockable isolation 3/2 way valve
 Filter-regulator
 Lubricator



Mod.	A	B	C	D	F1	F2
MX3-3/4-000003	G3/4	345	81	268,5	68	106
MX3-1-000003	G1	345	81	268,5	68	106

Composition of the assembled group 000004


Components:
 Lockable isolation 3/2 way valve
 Filter-regulator



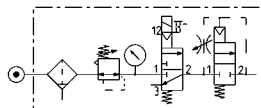
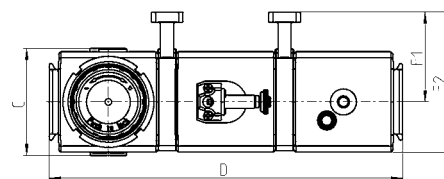
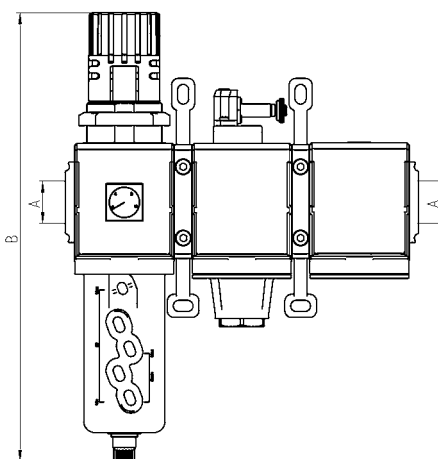
Mod.	A	B	C	D	F1	F2
MX3-3/4-000004	G3/4	345	81	179	68	106
MX3-1-000004	G1	345	81	179	68	106

Composition of the assembled group 000005

New



- Components:
 Filter-regulator
 Lockable isolation 3/2 way valve
 Soft start valve



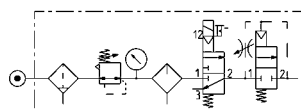
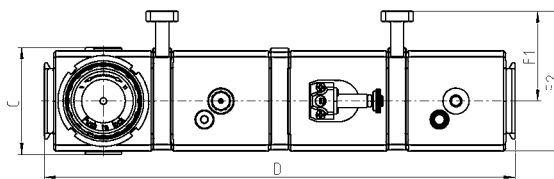
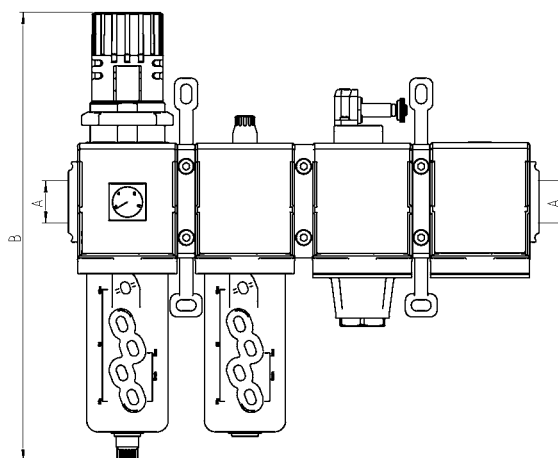
Mod.	A	B	C	D	F1	F2
MX3-3/4-000005	G3/4	345	81	268,5	68	106
MX3-1-000005	G1	345	81	268,5	68	106

Composition of the assembled group 000006

New



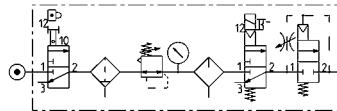
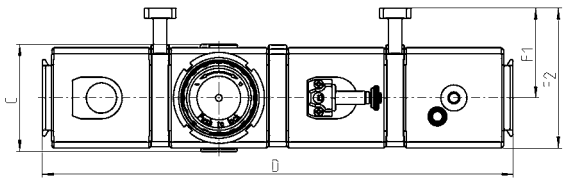
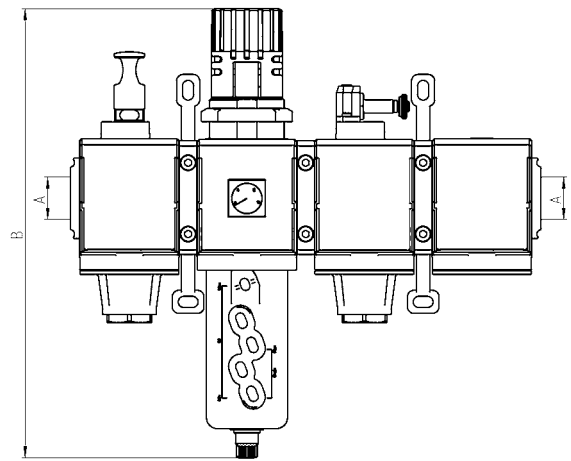
- Components:
 Filter-regulator
 Lubricator
 Soft start valve



Mod.	A	B	C	D	F1	F2
MX3-3/4-000006	G3/4	345	81	358	68	106
MX3-1-000006	G1	345	81	358	68	106

Composition of the assembled group 000007
New

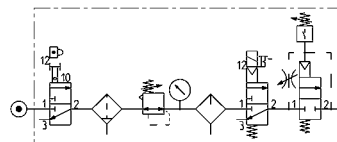
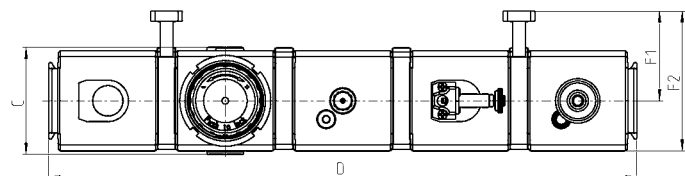
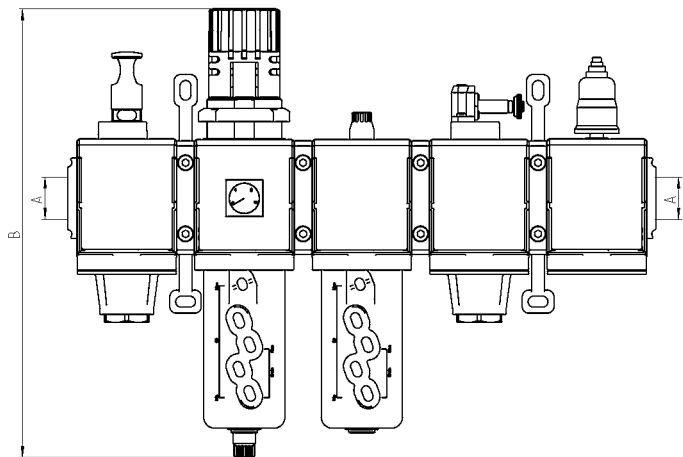

Components:
 Lockable isolation 3/2 way valve
 Filter-regulator
 Lockable isolation 3/2 way valve
 Soft start valve



Mod.	A	B	C	D	F1	F2
MX3-3/4-000007	G3/4	345	81	358	68	106
MX3-1-000007	G1	345	81	358	68	106

Composition of the assembled group 000008
New


Components:
 Lockable isolation 3/2 way valve
 Filter-regulator
 Lubricator
 Lockable isolation 3/2 way valve
 Soft start valve + pressure switch (NO)



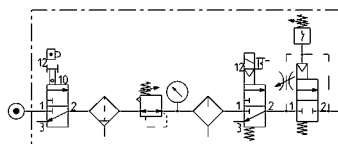
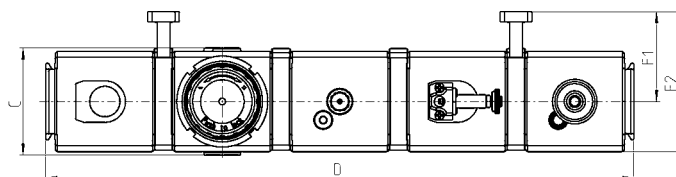
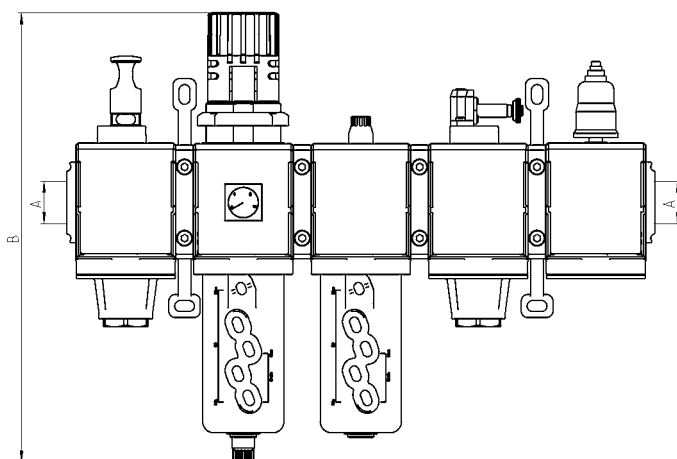
Mod.	A	B	C	D	F1	F2
MX3-3/4-000008	G3/4	345	81	447,5	68	106
MX3-1-000008	G1	345	81	447,5	68	106

Composition of the assembled group 000009

New



- Components:
- Lockable isolation 3/2 way valve
- Filter-regulator
- Lubricator
- Lockable isolation 3/2 way valve
- Soft start valve + pressure switch (NC)



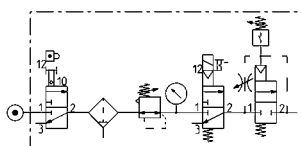
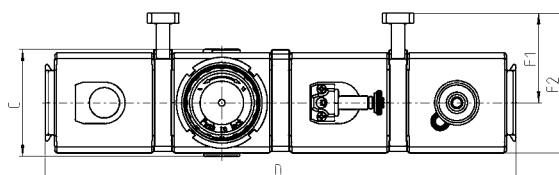
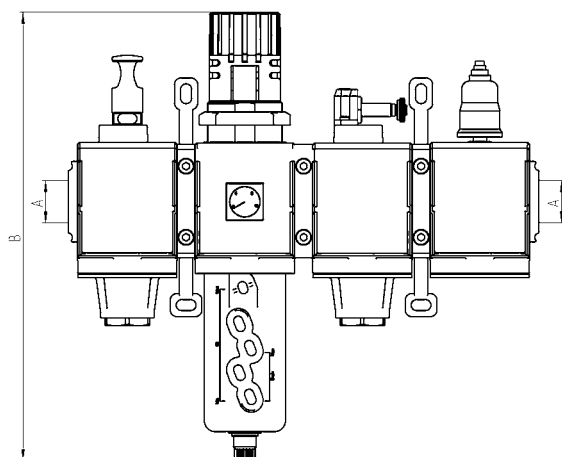
Mod.	A	B	C	D	F1	F2
MX3-3/4-000009	G3/4	345	81	447,5	68	106
MX3-1-000009	G1	345	81	447,5	68	106

Composition of the assembled group 000010

New



- Components:
- Lockable isolation 3/2 way valve
- Filter-regulator
- Lockable isolation 3/2 way valve
- Soft start valve + pressure switch (NO)



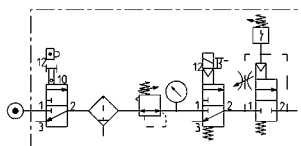
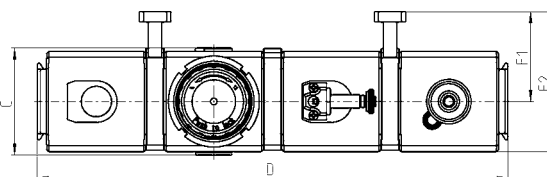
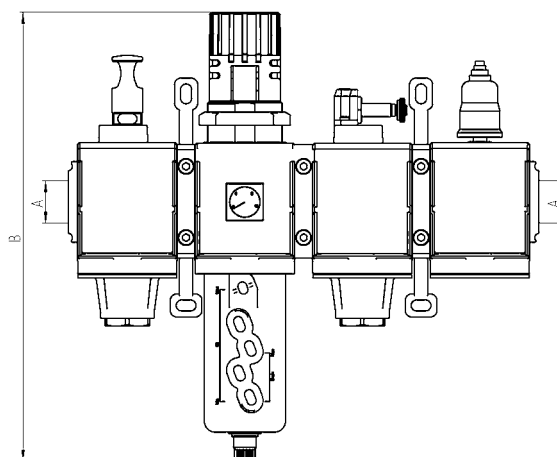
Mod.	A	B	C	D	F1	F2
MX3-3/4-000010	G3/4	345	81	358	68	106
MX3-1-000010	G1	345	81	358	68	106

Composition of the assembled group 000011

New



Components:
 Lockable isolation 3/2 way valve
 Filter-regulator
 Lockable isolation 3/2 way valve
 Soft start valve + pressure switch (NC)



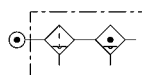
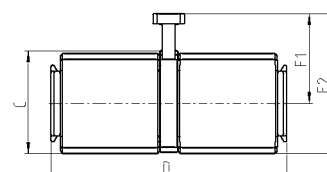
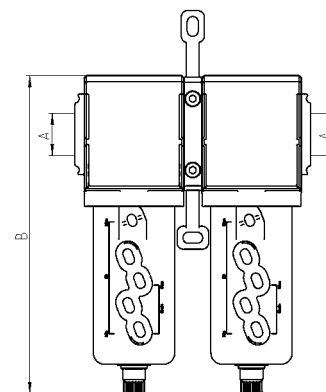
Mod.	A	B	C	D	F1	F2
MX3-3/4-000011	G3/4	345	81	358	68	106
MX3-1-000011	G1	345	81	358	68	106

Composition of the assembled group 000012

New



Components:
 Filter
 Coalescing filter



Mod.	A	B	C	D	F1	F2
MX3-3/4-000012	G3/4	231	78	179	68	106
MX3-1-000012	G1	231	78	179	68	106