

Take-off blocks Series MX

New 

Ports G1
Modular



- » Compact design
- » Available with or without VNR (no return valve)
- » Pressure switches available on request

The Series MX has been realized to offer a multi-sector solution that guarantees saving in terms of installation time, space and costs. A special configurator, available on Camozzi website at <http://catalogue.camozzi.com> (sec. Configurators), allows the customer to choose the most suitable solution for his application, selecting single components or by configuring assembled FRLs.

The Take-off blocks, when equipped with a no return valve, can be used to bleed non lubricated air.

GENERAL DATA

Construction	modular, compact, diaphragm-type
Materials	see TABLE OF MATERIALS (pag. 3/1.45.02)
Ports	G1
Weight	0,55 kg
Take-off ports	G1
Mounting	in-line wall-mounting (by means of clamps)
Operating temperature	-5°C ÷ 50°C up to 16 bar (with the dew point of the fluid lower than 2°C at the min. working temperature) -5°C ÷ 60°C up to 10 bar (with the dew point of the fluid lower than 2°C at the min. working temperature)
Operating pressure	0 ÷ 16 bar
Nominal flow at 6 bar with $\Delta p = 1$ bar	MX3-1-B00 = 14500 NI/m MX3-1-B01 = 10500 NI/m
Fluid	compressed air

3

TREATMENT

CODING EXAMPLE

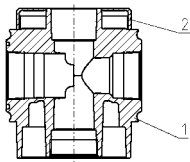
MX	3	-	1	-	B	00
-----------	----------	----------	----------	----------	----------	-----------

MX	SERIES
3	SIZE: 3 = G3/4 - G1
1	PORT: 1 = G1
B	TAKE-OFF BLOCK
00	DESIGN TYPE: 00 = without no return valve (standard) 01 = with no return valve

For the assembly of a single component with fixing flanges or wall-mounting, see the section "FRL Series MX Assembled" (pag. 3/1.50.01)

3

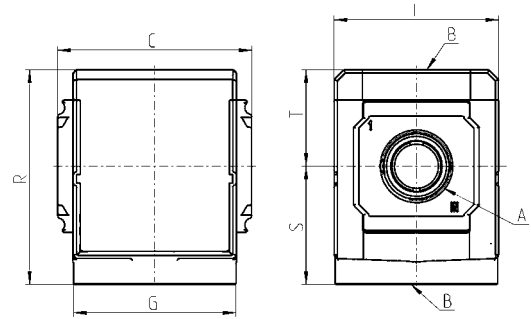
TREATMENT

Take-off blocks Series MX - materials
New


PARTS	MATERIALS
1 = Body	Aluminium
2 = Covering	Polyacetal
Seals	NBR

Take-off blocks Series MX - dimensions

New



BL01



BL02

BL01 = take-off block

BL02 = take-off block with VNR

Mod.	A	B	C	G	I	R	S	T
MX3-1-B00	G1	G1	89,5	75	76	99	54,5	44,5