

CONNECTORS AND ACCESSORIES FOR VALVE ISLANDS SERIES 3 PLUG-IN, 3 FIELDBUS, Y, H, F and CX2



Straight connectors with cable



Angular connectors with cable



Connection cables for digital output modules



Connection cables for digital output modules



Power supply female connectors M12 4 poles



Power supply angular female connectors



Bus-In straight female connectors



Bus-In angular female connectors



Bus-Out straight male connectors



Bus-Out angular male connectors



Male connector with terminal resistance



Connector with terminal resistance Cam.I.Net



Profibus-DP data line tee



CANopen / DeviceNet data line tee



Straight male connector DUO M12 5 poles



Angular male connector DUO M12 5 poles



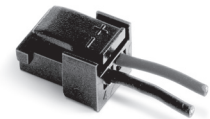
Programming cable for Series Y



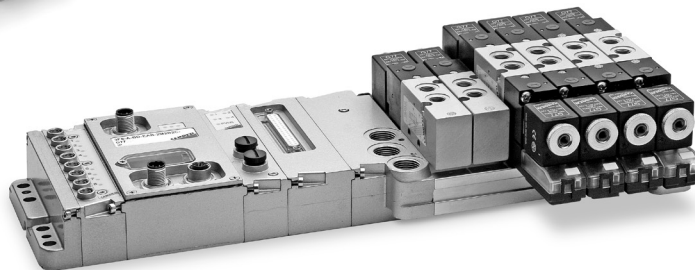
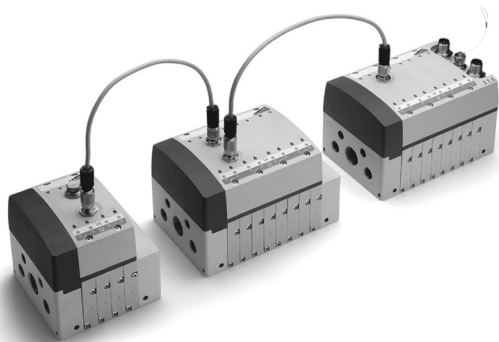
Expansion cable for Series Y and H



Extension M8, 3 Pin Male / Female



Connectors for Individual connection series Y



Inside this section you will find other connectors.

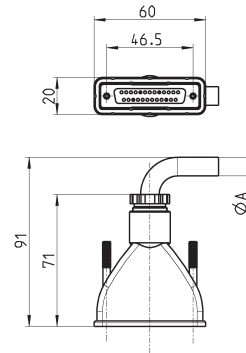
Products designed for industrial applications.
General terms and conditions for sale are available on www.camozzi.com.

Straight connectors with cable for 3 Plug-In, Y Multipole and F


Plugs: SUB-D 15 poles (3 Plug-In and Y only),
SUB-D 25 poles (3 Plug-In, Y and F).

Protection class: IP65 (3 Plug-In and Y).

* for Series 3 Plug-In and Y
** for Series 3 Plug-In, Y and F

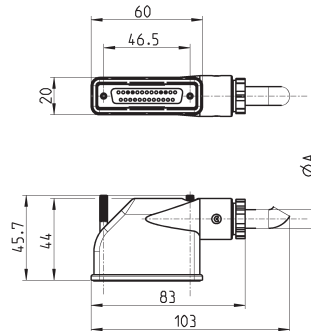


Mod.	øA	PIN	cable length (m)	N° max valve position
G3X-3	8	15	3	6 *
G3X-5	8	15	5	6 *
G3X-10	8	15	10	6 *
G4X-3	10	25	3	11 **
G4X-5	10	25	5	11 **
G4X-10	10	25	10	11 **

Angular connectors with cable for 3 Plug-In, Y Multipole and F


Plugs: SUB-D 25 poles.

Protection class: IP65 (3 Plug-In and Y only).

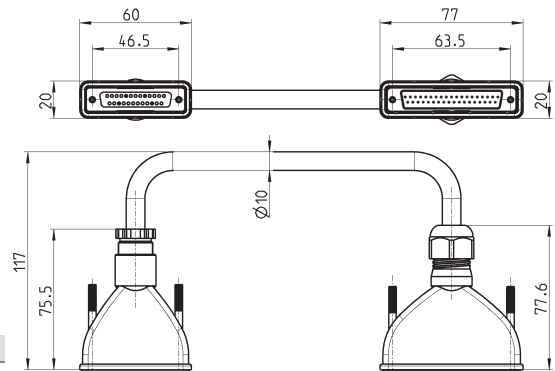


Mod.	øA	PIN	cable length (m)	N° max valve position
G4X1-3	10	25	3	11
G4X1-5	10	25	5	11

Connection cables for digital output modules ME-XXXX-DD


Plugs: SUB-D 37/25 poles.
They can be connected with: Series 3 Plug-In*, Y Multipole** and F
Protection class: IP65 (3 Plug-In and Y Multipole)

* See page 2/3.07.06
** See page 2/3.20.04

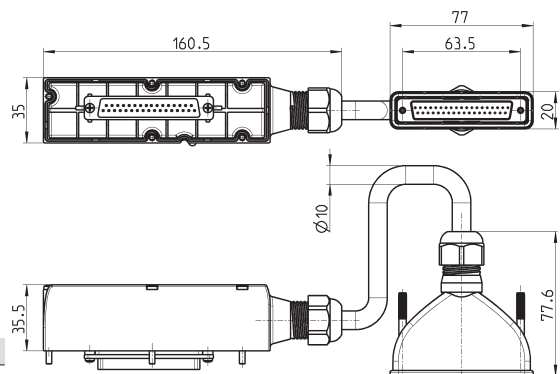


DIMENSIONS			
Mod.	male connector PIN	female connector PIN	cable length (m)
G4X-G9W-3	37	25	3
G4X-G9W-5	37	25	5

Connection cable for digital output modules ME-XXXX-DD *


Plugs: SUB-D 37/37 poles.
They can be connected with: Series H Multipole.
Protection class: IP65.

* See page 2/3.15.15.

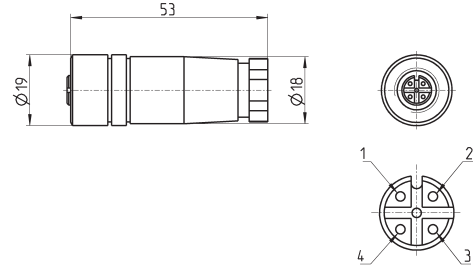


Mod.	male connector PIN	female connector PIN	cable length (m)
G4X1-H-G9W-3	37	37	3
G4X1-H-G9W-5	37	37	5

Power supply straight female connector M12 4 poles



It can be used with:
Series 3 Fieldbus, Series Y, Series H, Series CX2

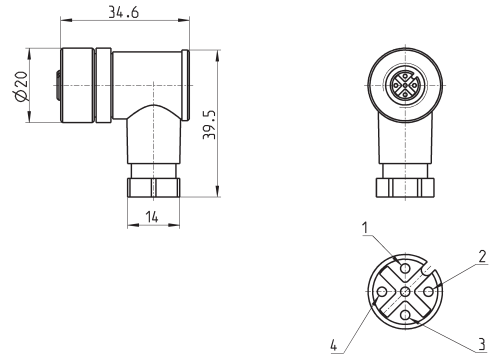


Mod.
CS-LF04HB

Power supply angular female connector M12 4 poles



It can be used with:
Series 3 Fieldbus, Series Y, Series H, Series CX2

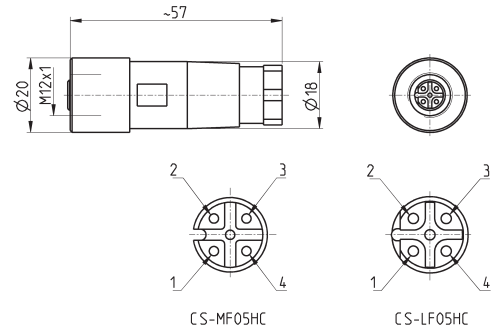


Mod.
CS-LR04HB

Bus-In straight female connectors M12/M12B 5 poles



They can be used with:
Series 3 Fieldbus, Series Y, Series H, Series CX2

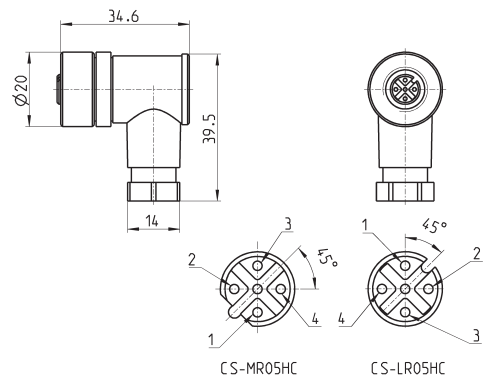


Mod.	
CS-MF05HC	Profibus-DP (M12B)
CS-LF05HC	CANopen - DeviceNet (M12)

Bus-In angular female connectors M12/M12B 5 poles



They can be used with:
Series 3 Fieldbus, Series Y, Series H, Series CX2



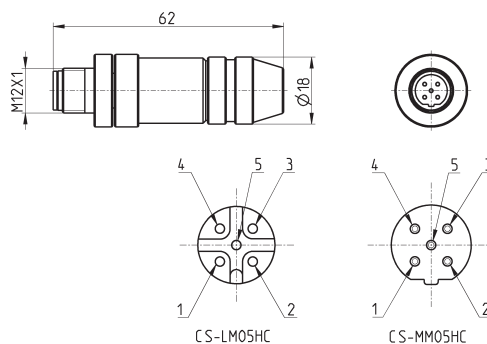
Mod.	
CS-MR05HC	Profibus-DP (M12B)
CS-LR05HC	CANopen - DeviceNet (M12)

Bus-Out straight male connectors M12/M12B 5 poles



They can be used with:
Series 3 Fieldbus, Series H and Series CX2.

The Mod. CS-LM05HC can be used also to connect the outputs of the module ME-0004-DL (see page 2/3.20.04).



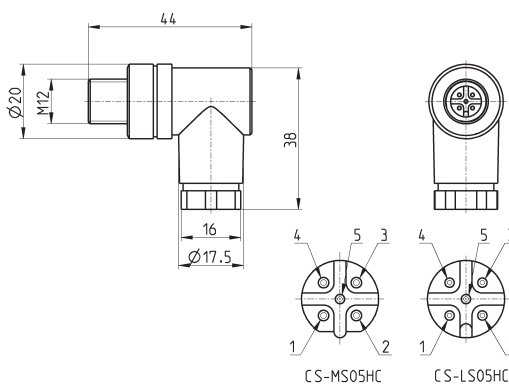
Mod.	
CS-MM05HC	Profibus-DP (M12B)
CS-LM05HC	CANopen - DeviceNet (M12)

Bus-Out angular male connectors M12/M12B 5 poles



They can be used with:
Series 3 Fieldbus, Series H and Series CX2.

The Mod. CS-LS05HC can be used also to connect the outputs of the module ME-0004-DL (see page 2/3.20.04).

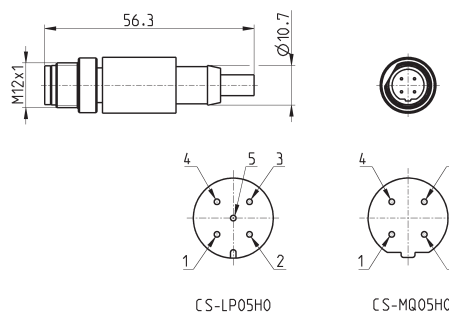


Mod.	
CS-MS05HC	Profibus-DP (M12B)
CS-LS05HC	CANopen - DeviceNet (M12)

Male connectors M12/M12B with terminal resistance



These connectors with serial terminal resistance can be used with Series 3 Fieldbus, Series H and Series CX2.

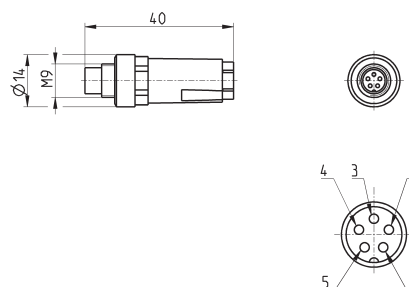


Mod.	
CS-MQ05H0	Profibus-DP (M12B)
CS-LP05H0	CANopen - DeviceNet (M12)

Male connector M9 with terminal resistance Cam.I.Net



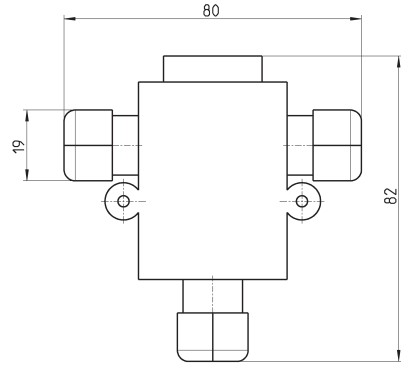
This connector with sub-serial terminal resistance can be used with Series 3 Fieldbus, Series H and Series CX2.



Mod.	
CS-FP05H0	

Profibus-DP data line tee

Connection cable for Expansion Modules Series Y

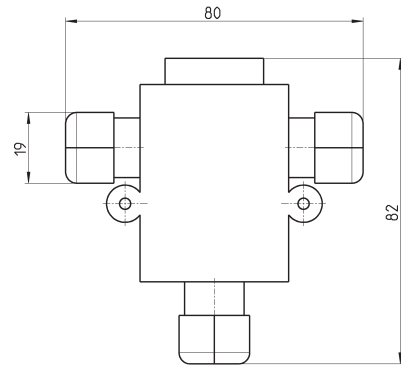


Mod.

CS-AA03EC

CANopen / DeviceNet data line tee

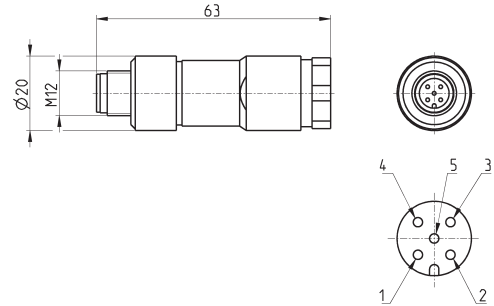
Connection cable for Expansion Modules Series Y and H



CS-AA05EC

Straight male connector DUO M12 5 poles

For the connection of digital input modules ME-1600-DL (page 2/3.10.14) and digital output modules ME-0004-DL (page 2/3.20.04).

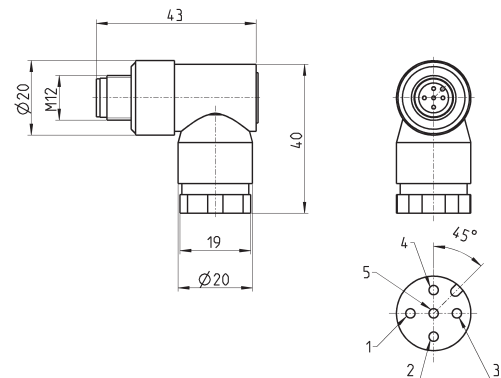


Mod.

CS-LD05HF

Angular male connector DUO M12 5 poles

For the connection of digital input modules ME-1600-DL (page 2/3.10.14) and digital output modules ME-0004-DL (page 2/3.20.04).



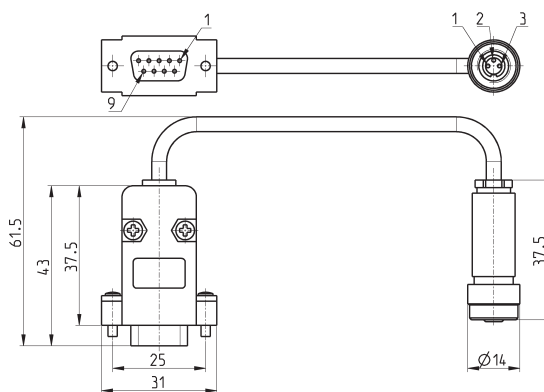
Mod.

CS-LH05HF

Programming cable for Series Y

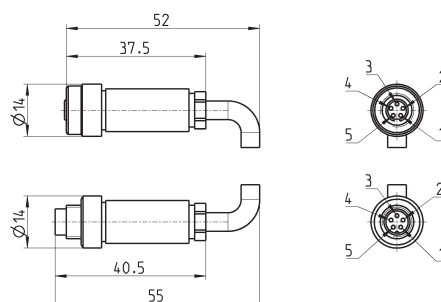


Manuals and configuration files are available on our website <http://catalogue.camozzi.com> in the section Downloads.



Mod.	cable length (mt)
CS-FZ03AD-C500	5

Expansion cable for Series Y and H

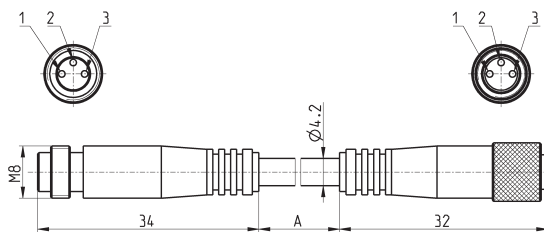


Mod.	cable length (mt)
CS-FW05HE-D025	0,25
CS-FW05HE-D100	1
CS-FW05HE-D250	2,5
CS-FW05HE-D500	5
CS-FW05HE-DA00	10

Extension with connector M8, 3 Pin Male / Female

Non shielded

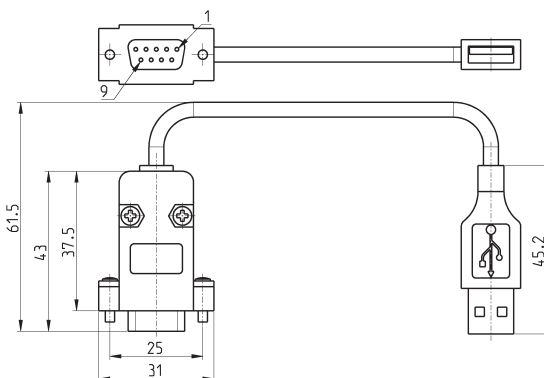
For the connection of digital input modules ME-0008-DC (see the section Series 3 Fieldbus, Series H and Series CX2).



Mod.	cable length "A" (mt)
CS-DW03HB-C250	2,5
CS-DW03HB-C500	5

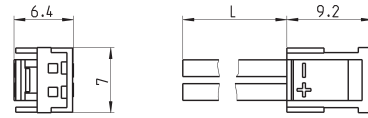
USB SERIAL converter for programming cable

For Series Y



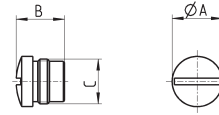
Mod.	cable length (m)
G8X3-G8W-1	1

Connectors for Individual connection Series Y



Mod.	Cable length (mm)
121-803	300
121-806	600
121-810	1000

Blanking plug for modules Series 3 Fieldbus, H and CX2



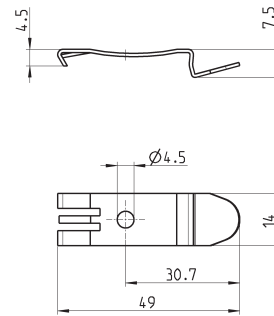
Mod.	A	B	C	Mounting
CS-DFTP	10	11	M8	ME-0008-DC
CS-LFTP	13,5	13	M12	ME-1600-DL - ME-0004-DL

Mounting brackets for DIN rail



DIN EN 50022 (mm 7,5 x 35 - width 1)
Suitable for all manifolds Series 3 Fieldbus, Y, H, F and CX2.

Supplied with:
2x plates
2x screws M4x6 UNI 5931



Mod.
PCF-E520

Identification plates for Series H and F



The packaging contains
45 identification plates 9x45.

Mod.
HP1/E