

DNP	BG	USA	ISO	CH2	CH3	øE	L1	L2	L3	F	COD. (F)	COD. (M)
06	1	04	6,3	19	19	26	70	49	35	G 1/4	PA01.0606.002	PA01.0606.003
										1/4 NPT	PA01.0606.012	PA01.0606.013
10	2	06	10	22	22	30	85	60.5	42.5	G 3/8	PA01.1010.002	PA01.1010.003
										3/8 NPT	PA01.1010.012	PA01.1010.013
13	3	08	12,5	27	27	38	96	70	48	G 1/2	PA01.1313.002	PA01.1313.003
										1/2 NPT	PA01.1313.012	PA01.1313.013
20	4	12	20	34	34	45	114	84.5	57	G 3/4	PA01.2019.002	PA01.2019.003
										3/4 NPT	PA01.2019.012	PA01.2019.013
25	5	16	25	41	41	52	131	99	65.5	G 1	PA01.2525.002	PA01.2525.003
										1 NPT	PA01.2525.012	PA01.2525.013
10	2	06	10	22	22	30	85	60.5	42.5	G 3/8	PAOC.1010.002	PAOC.1010.003
13	3	08	12,5	27	27	38	96	70	48	G 1/2	PAOC.1313.002	PAOC.1313.003
20	4	12	20	34	34	45	114	84.5	57	G 3/4	PAOC.2019.002	PAOC.2019.003

#### CARATTERISTICHE TECNICHE

**Materiali:** tipo PA01 in acciaio zincato e passivato giallo. Tipo PAOC in acciaio cromato. Parti sollecitate carbonitrate o temprate ad induzione. **Guarnizioni:** tipo PA01 in gomma nitrilica NBR. Tipo PAOC in FPM (Viton™). Disponibili su richiesta EPDM e CR (Neoprene). **Temperatura di esercizio:** PA01 con guarnizioni standard - 25°C + 125°C. PAOC con guarnizioni standard - 25°C + 200°C. **Antiextrusore:** in Teflon puro.

#### TECHNICAL INFORMATION

**Materials:** PA01 series zinc-plated and yellow bichromated. PAOC series chromium-plated. All high stressed components carbonitrided or hardened by induction. **Seals:** PA01 model standard in nitrile NBR. PAOC model standard in FPM (Viton™). On request EPDM and CR (Neoprene) seals. **Working temperature:** PA01 with standard seals - 25°C + 125°C. PAOC with standard seals - 25°C + 200°C. **Back-up ring:** in pure Teflon.

#### TECHNISCHE MERKMALE

**Werkstoff:** serie PA01 auf hochfester Stahl verzinkt und gelb chromatiert. Serie PAOC auf hochfester Stahl verchromt. Verschleissbeanspruchten Komponenten carbonitriert oder induktivgehärtet. **Dichtungen:** PA01 aus Nitril NBR lieferbar. PAOC aus FPM (Viton™) lieferbar. Andere Dichtungen in EPDM und CR (Neopren) auf Anfrage ebenfalls lieferbar. **Betriebstemperatur:** PA01 mit Standard-Dichtung - 25°C + 125°C. PAOC mit Standard-Dichtung - 25°C + 200°C. **Stuetzring:** aus rein Teflon.

#### CARACTERISTIQUES TECHNIQUES

**Matériel:** série PA01 en acier zingué et bichromaté jaune. Série PAOC en acier chromé. Tous les composants soumis a sollicitation carbonitrurés ou trempés a induction. **Joints:** PA01 nitrile NBR en standard. PAOC en FPM (Viton™). Joints en EPDM et en CR (Neoprene) sur demande. **Température de service:** PA01 avec joints standard - 25°C + 125°C. PAOC avec joints standard - 25°C + 200°C. **Bague anti-extrusion:** en Teflon pur.

Dimensione nominale Nominal size Nennmass Dimension nominale				Press. max d'esercizio Max working pressure Max Betriebsdruck Press. de service max	Portata nominale Rated flow Durchfluss Débit	Pressione min di scoppio / Min burst pressure Min Berstdruck / Pression d'éclatement min			Spillaggio / Fluid spillage Überflus / Ecoulement
						Maschio / Male Stecker / Måle	Femmina / Female Muffe / Femelle	Innestato / Coupled Gekuppelt / Accouplé	
<b>PAO1</b>									
DNP	BG	USA	ISO	DN (mm)	(l/m)				
06	1	04	6.3	5,5	14				
10	2	06	10	9,5	42				
13	3	08	12.5	11,5	63				
20	4	12	20	16,5	128				
25	5	16	25	19	170				
<b>PAOC</b>									
DNP	BG	USA	ISO	DN (mm)	(l/m)				
10	2	06	10	12,5	60				
13	3	08	12.5	17	110				
20	4	12	20	22	185				

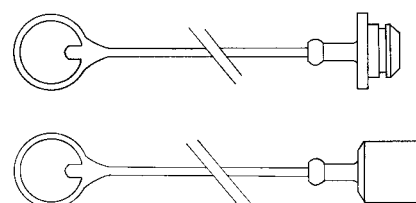
PERDITA DI CARICO / PRESSURE DROP / DRUCKVERLUST / DEBIT DE PRESSION ( $\Delta p$  bar - l/m)

$\Delta p$  (bar)

l/m

ACCESSORI / ACCESSORIES / ZUBEHÖR / ACCESSOIRES

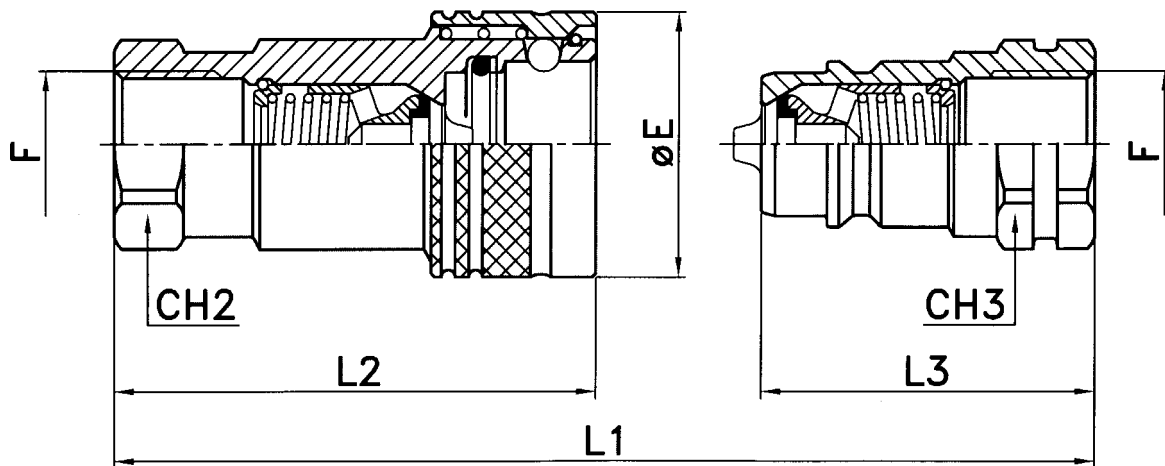
DNP size	Tappo per femmina Female dust plug Staubstecker Bouchon pour fem.	Cappuccio per masc. Male dust cap Staubkappe Capuchon pour mâle	Colore Colour Farbe Couleur	Materiale Material Werkstoff Matériel
06	SPAV.06002	SPAV.06003	ROSSO / RED	POLIETILENE / POLYETHYLENE
10	SPAV.10002	SPAV.10003	ROSSO / RED	POLIETILENE / POLYETHYLENE
13	SPAV.13002	SPAV.13003	ROSSO / RED	PVC
13	SPAV.13012	SPAV.13013	GIALLO / YELLOW	PVC
13	SPAV.13022	SPAV.13023	VERDE / GREEN	PVC
13	SPAV.13032	SPAV.13033	BLU / BLUE	PVC
20	SPAV.20002	SPAV.20003	ROSSO / RED	POLIETILENE / POLYETHYLENE
25	SPAV.25002	SPAV.25003	ROSSO / RED	POLIETILENE / POLYETHYLENE



GUARNIZIONI DI RICAMBIO / SPARE PARTS / ERSATZDICHTUNGEN / JOINTS

DNP size	O-RING FEMMINA / FEMALE O-RING MUFFE O-RING / O-RING FEMELLE			
06	PAV.006.120	NBR	PAV.006.120 V	VITON
10	PAV.010.120		PAV.010.120 V	
13	PAV.013.120		PAV.013.120 V	
20	PAV.019.120		PAV.019.120 V	
25	PAV.025.120		PAV.025.120 V	

DNP size	ANTIESTRUSORE FEMMINA / FEMALE BACK-UP RING MUFFE STÜTZRING / CONTRE-JOINT FEMELLE	
06	PAV.006.130	PTFE
10	PAV.010.130	
13	PAV.013.130	
20	PAV.019.130	
25	PAV.025.130	



DNP	BG	USA	ISO	CH2	CH3	øE	L1	L2	L3	F	COD. (F)	COD. (M)
06	1	04	6,3	19	19	26	70	49	35	G 1/4	PAV1.0606.002	PAV1.0606.003
										1/4 NPT	PAV1.0606.012	PAV1.0606.013
										RC 1/4	PAV1.0606.042	PAV1.0606.043
10	2	06	10	22	22	30	85	60.5	42.5	G 3/8	PAV1.1010.002	PAV1.1010.003
										3/8 NPT	PAV1.1010.012	PAV1.1010.013
										RC 3/8	PAV1.1010.042	PAV1.1010.043
13	3	08	12,5	27	27	38	96	70	48	G 1/2	PAV1.1313.002	PAV1.1313.003
										1/2 NPT	PAV1.1313.012	PAV1.1313.013
										RC 1/2	PAV1.1313.042	PAV1.1313.043
										M 22x1.5	PAV1.1322.102	PAV1.1322.103
20	4	12	20	34	34	45	114	84.5	57	G 3/4	PAV1.2019.002	PAV1.2019.003
										3/4 NPT	PAV1.2019.012	PAV1.2019.013
										RC 3/4	PAV1.2019.042	PAV1.2019.043
25	5	16	25	41	41	52	131	99	65.5	G 1	PAV1.2525.002	PAV1.2525.003
										1 NPT	PAV1.2525.012	PAV1.2525.013
										RC 1	PAV1.2525.042	PAV1.2525.043
30	6	20	31.5	50	50	70	150	117	75	G 1 1/4	PAV1.3031.002	PAV1.3031.003
										1 1/4 NPT	PAV1.3031.012	PAV1.3031.013
										RC 1 1/4	PAV1.3031.042	PAV1.3031.043
39	7	24	40	60	60	82	167	133	84	G 1 1/2	PAV1.3939.002	PAV1.3939.003
										1 1/2 NPT	PAV1.3939.012	PAV1.3939.013
										RC 1 1/2	PAV1.3939.042	PAV1.3939.043
50	8	32	50	75	75	99	216	169	108	G 2	PAV1.5051.002	PAV1.5051.003
										2 NPT	PAV1.5051.012	PAV1.5051.013
										RC 2	PAV1.5051.042	PAV1.5051.043

**CARATTERISTICHE TECNICHE**

**Materiali:** acciaio zincato e passivato giallo con parti sollecitate carbonitrate o temprate ad induzione. **Guarnizioni:** standard in gomma nitrilica NBR. Disponibili su richiesta EPDM, FPM (Viton™) e CR (Neoprene). **Temperatura di esercizio:** con guarnizioni standard - 25°C + 125°C. **Antiextrusore:** in Teflon puro.

**TECHNICAL INFORMATION**

**Materials:** zinc-plated and yellow bichromated steel, with all high stressed components carbonitrided or hardened by induction. **Seals:** standard nitrile NBR. On request EPDM, FPM (Viton™) and CR (Neoprene) seals. **Working temperature:** with standard seals - 25°C + 125°C. **Back-up ring:** in pure Teflon.

**TECHNISCHE MERKMALE**

**Werkstoff:** hochfester Stahl verzinkt und gelb chromatiert mit verschleissbeanspruchten Komponenten carbonitriert oder induktivgehärtet. **Dichtungen:** aus Nitril NBR lieferbar. Andere Dichtungen auf Anfrage ebenfalls lieferbar. **Betriebstemperatur:** mit Standard-Dichtung - 25°C + 125°C. **Stuetzring:** aus rein Teflon.

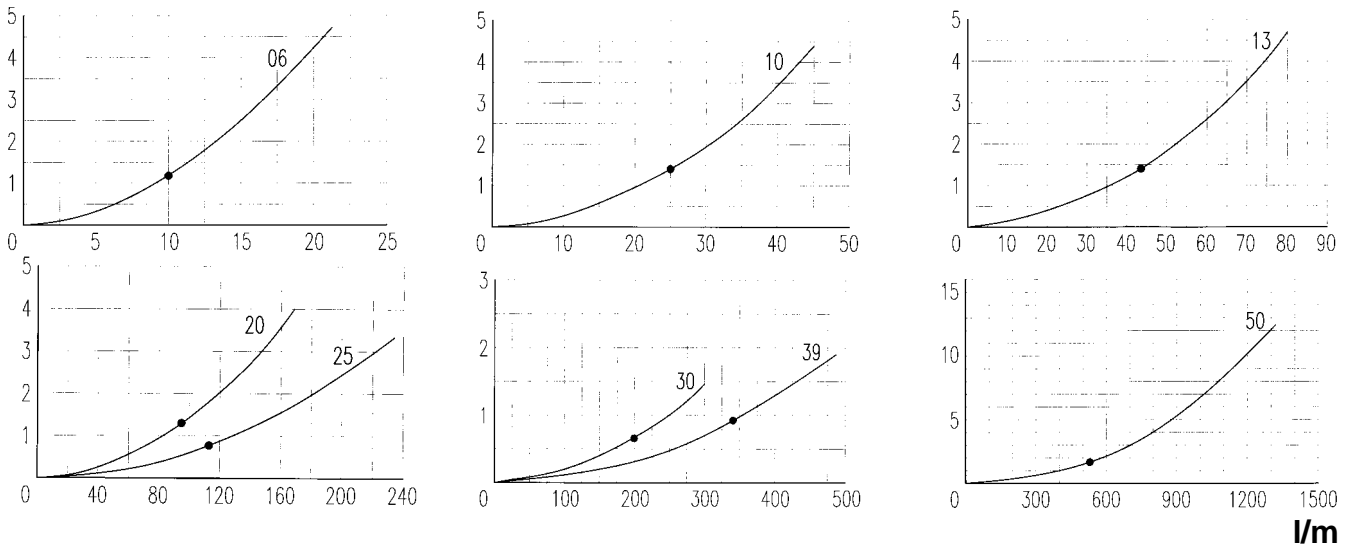
**CARACTERISTIQUES TECHNIQUES**

**Matériel:** acier zingué et bichromaté jaune, tous les composants soumis a sollicitation carbonitrurés ou trempés à induction. **Joint:** nitrile NBR en standard. Autres joints sur demande. **Température de service:** avec joints standard - 25°C + 125°C. **Bague anti-extrusion:** en Teflon pur.

Dimensione nominale Nominal size Nennmass Dimension nominale				Press. max d'esercizio Max working pressure Max Betriebsdruck Press. de service max		Portata nominale Rated flow Durchfluss Débit	Pressione min di scoppio / Min burst pressure Min Berstdruck / Pression d'éclatement min			Spillaggio / Fluid spillage Ölverlust / Ecoulement	
DNP	BG	USA	ISO	DN (mm)	(bar)	(l/m)	Maschio / Male Stecker / Måle	Femmina / Female Muffe / Femelle	Innestato / Coupled Gekuppelt / Accouplé	(bar)	(cc)
06	1	04	6.3	5	350	9.6	1390	1880	1300	0.5	
10	2	06	10	8	300	25	1250	1530	1200	1.9	
13	3	08	12.5	10.6	250	43	1060	1300	1160	2.7	
20	4	12	20	15.7	250	93	1200	1290	1040	9.3	
25	5	16	25	17.3	250	113	1000	1160	1000	16	
30	6	20	31.5	22.8	250	196	1020	1000	1000	30	
39	7	24	40	30	200	336	830	800	800	54	
50	8	32	50	37.6	190	536	760	1000	850	120	

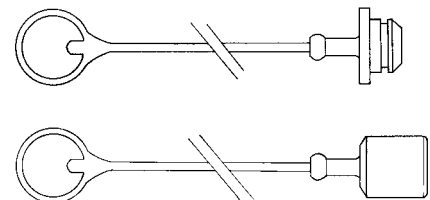
PERDITA DI CARICO / PRESSURE DROP / DRUCKVERLUST / DEBIT DE PRESSION ( $\Delta p$  bar - l/m)

$\Delta p$  (bar)



ACCESSORI / ACCESSORIES / ZUBEHÖR / ACCESSOIRES

DNP size	Tappo per femmina Female dust plug Staubstecker Bouchon pour fem.	Cappuccio per masc. Male dust cap Staubkappe Capuchon pour male	Colore Colour Farbe Couleur	Materiale Material Werkstoff Matériel
06	SPAV.06002	SPAV.06003	ROSSO / RED	POLIETILENE / POLYETHYLENE
10	SPAV.10002	SPAV.10003	ROSSO / RED	POLIETILENE / POLYETHYLENE
13	SPAV.13002	SPAV.13003	ROSSO / RED	PVC
13	SPAV.13012	SPAV.13013	GIALLO / YELLOW	PVC
13	SPAV.13022	SPAV.13023	VERDE / GREEN	PVC
13	SPAV.13032	SPAV.13033	BLU / BLUE	PVC
20	SPAV.20002	SPAV.20003	ROSSO / RED	POLIETILENE / POLYETHYLENE
25	SPAV.25002	SPAV.25003	ROSSO / RED	POLIETILENE / POLYETHYLENE



GUARNIZIONI DI RICAMBIO / SPARE PARTS / ERSATZDICHTUNGEN / JOINTS

DNP size	O-RING FEMMINA / FEMALE O-RING MUFFE O-RING / O-RING FEMELLE				DNP size	ANTIESTRUSORE FEMMINA / FEMALE BACK-UP RING MUFFE STÜTZRING / CONTRE-JOINT FEMELLE		
06	PAV.006.120	NBR	PAV.006.120 V	VITON	PAV.006.120 E	EPDM	PAV.006.120 N	NEOPRENE
10	PAV.010.120		PAV.010.120 V		PAV.010.120 E		PAV.010.120 N	
13	PAV.013.120		PAV.013.120 V		PAV.013.120 E		PAV.013.120 N	
20	PAV.019.120		PAV.019.120 V		PAV.019.120 E		PAV.019.120 N	
25	PAV.025.120		PAV.025.120 V		PAV.025.120 E		PAV.025.120 N	
30	PAV.030.120		PAV.030.120 V		PAV.030.120 E		PAV.030.120 N	
39	PAV.039.120		PAV.039.120 V		PAV.039.120 E		PAV.039.120 N	
50	PAV.050.120		PAV.050.120 V		PAV.050.120 E		PAV.050.120 N	
06	PAV.006.130	PTFE						
10	PAV.010.130							
13	PAV.013.130							
20	PAV.019.130							
25	PAV.025.130							
30	PAV.030.130							
39	PAV.039.130							
50	PAV.050.130							