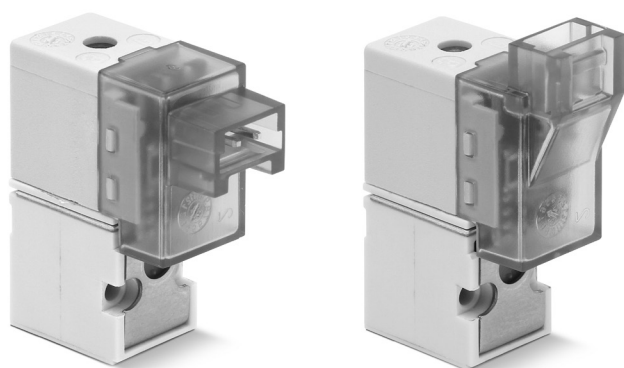


Series KN High Flow directly operated solenoid valves

New

3/2-way Normally Closed (NC)



- » Low energy consumption
- » Compact design
- » High Flow
- » ISO 15218 Interface

Thanks to its low energy consumption and to its compact design, Series KN High Flow solenoid valve can be used in industrial and scientific applications.

Series KN High Flow directly operated solenoid valves are available as 3/2-way NC version.

GENERAL DATA

TECHNICAL FEATURES

Function	3/2 NC
Operation	direct acting poppet type
Pneumatic connections	on subbase, ISO 15218 interface by means of screws
Nominal diameter	1.1 mm
Nominal flow	25 NI/min (air @ 6 bar ΔP 1 bar)
Kv (l/min)	0.39
Operating pressure	0 ÷ 3 ... 7 bar
Operating temperature	0 ÷ +50°C
Media	filtered air, class 5.4.4 according to ISO 8573-1 (max oil viscosity 32 cSt), inert gas
Response time	ON <10 msec - OFF <10 msec
Manual override	monostable button
Installation	in any position

MATERIALS IN CONTACT WITH THE MEDIUM

Body	PBT technopolymer
Seals	FKM, NBR (FKM on demand)
Internal parts	stainless steel

ELECTRICAL FEATURES

Voltage	24 V DC - 12 V DC - other voltages on demand
Voltage tolerance	4 W (inrush), 1 W (holding)
Power consumption	ED 100%
Duty cycle	connector
Electrical connection	IP50
Protection class	

Special versions available on demand

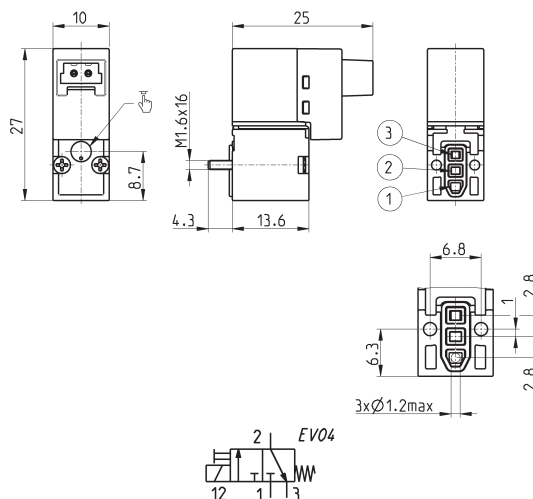
CODING EXAMPLE

KN	0	00	-	3	0	5	-	F	1	8	
-----------	----------	-----------	----------	----------	----------	----------	----------	----------	----------	----------	--

KN	SERIES
0	BODY DESIGN: 0 = single valve
00	NUMBER OF POSITIONS: 00 = interface
3	NUMBER OF WAYS - FUNCTIONS: 3 = 3/2-way NC
0	PORTS: 0 = single valve
5	NOMINAL DIAMETER / MAX PRESSURE: 5 = \varnothing 1.1 7 bar 6 = \varnothing 1.1 3 bar
F	MATERIALS: F = PBT body, FKM poppet seal, NBR other seals (FKM upon request)
1	ELECTRICAL CONNECTION: 1 = 90° connection with protection and led B = in-line connection with protection and led
8	SOLENOID VOLTAGE: 2 = 12V DC 8 = 24V DC (4W) inrush (1W holding)
	FIXING: = with screws for plastics(standard) M = with screws for metal

3/2-way NC solenoid valve - 90° electrical connection
New


Supplied with:
 1x interface seal
 2x screws M1.6x16 UNI 10227
 (for standard version)
 or
 2x screws M1.6x16 UNI 7687 (for M version)

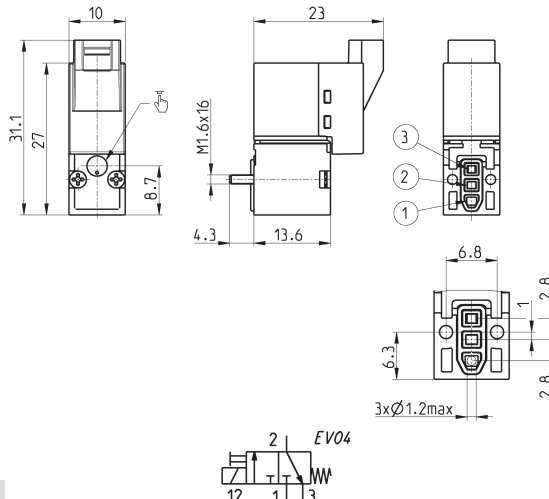


Mod.	Orifice Ø (mm)	Qn (NI/min)	Pressure min-max (bar)
KN000-305-F18	1.1	25	3 ÷ 7
KN000-306-F18	1.1	16 *	0 ÷ 3

* flow measurement at 3 bar ΔP1

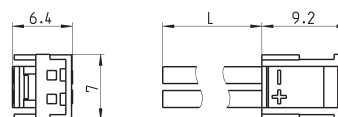
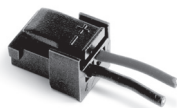
3/2-way NC solenoid valve - in-line electrical connection
New


Supplied with:
 1x interface seal
 2x screws M1.6x16 UNI 10227
 (for standard version)
 or
 2x screws M1.6x16 UNI 7687 (for M version)



Mod.	Orifice Ø (mm)	Qn (NI/min)	Pressure min-max (bar)
KN000-305-FB8	1.1	25	3 ÷ 7
KN000-306-FB8	1.1	16 *	0 ÷ 3

* flow measurement at 3 bar ΔP1

Connector Mod. 121-8..


Mod.	cable length (mm)
121-803	300
121-806	600
121-810	1000