

Series PD directly operated solenoid valves

2/2-way Normally Closed (NC)



Note: all Series PD 2/2-way solenoid valves are basically in DC.
To operate in AC at the same target voltage, the valves need to use the connector Mod. 125-800 or Mod. 125-900.

This directly operated solenoid valve is available as 2/2-way, NC, in several sizes and in three different versions.

GENERAL DATA

TECHNICAL FEATURES

Function	2/2 NC
Operation	direct acting poppet type
Pneumatic connections	on subbase by means of M3 screws - M5 threads
Nominal diameter	0.8 ... 2.5 mm
Nominal flow	25 ... 125 NI/min (air @ 6 bar ΔP 1 bar)
Kv (l/min)	0.39 ... 1.93
Operating pressure	-0.9 + 4 ... 12 bar
Operating temperature	0 + +50°C
Media	filtered air, class 5.4.4 according to ISO 8573-1 (max oil viscosity 32 cSt), inert gas
Response time	ON <10 msec - OFF <15 msec
Installation	in any position

MATERIALS IN CONTACT WITH THE MEDIUM

Body	brass, anodized aluminium
Seals	NBR, (FKM on demand)
Internal parts	stainless steel

ELECTRICAL FEATURES

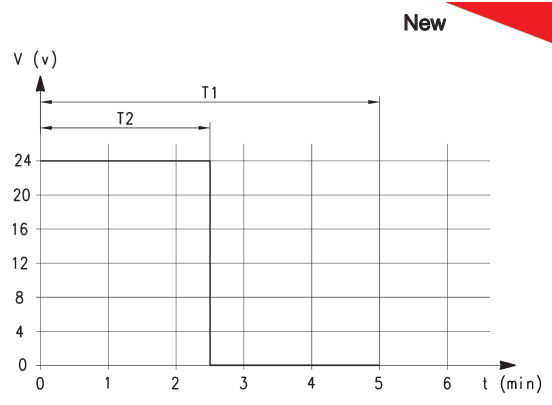
Voltage	24 V DC - 12 V DC - other voltages on demand
Voltage tolerance	$\pm 10\%$
Power consumption	1 ... 4 W
Duty cycle	ED 100% (1 and 2 W) - ED 50% (4W) see the ED definition diagram
Electrical connection	DIN 43650 connector, (C Shape), 9.4 mm
Protection class	IP65 with connector

Special versions available on demand

CODING EXAMPLE											
PD	0	00	-	2	A	1	-	R	5	3	
PD	SERIES										
0	BODY DESIGN: 0 = single body										
00	NUMBER OF POSITIONS: 00 = interface										
2	NUMBER OF WAYS - FUNCTIONS: 2 = 2-way NC										
A	BODY MATERIALS AND VALVE PORTS: A = aluminium body, rear pneumatic interface C = aluminium body, low pneumatic interface E = brass body, M5 ports (for ø up to 1.6mm)										
1	NOMINAL DIAMETER: 1 = ø 0.8 2 = ø 1.2 3 = ø 1.6 4 = ø 2 5 = ø 2.5										
R	POPPET SEAL MATERIALS: R = NBR F = FKM (on request)										
5	ELECTRICAL CONNECTION: 5 = 3 faston pitch 9,4										
3	SOLENOID VOLTAGE: 1 = 12V DC 1W 2 = 12V DC 2W 3 = 24V DC 1W 5 = 24V DC 2W 8 = 24V DC 4W										
	FIXING: = with screws for metal (standard) P = with screws for plastics										

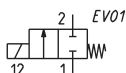
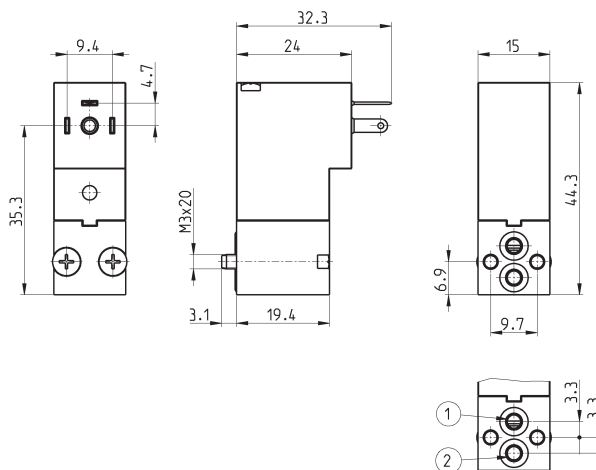
ED definition diagram
 Operating factor lower than 50%

T1 = cycle time (5 minutes max)
 T2 = energizing time
 t = time (minutes)
 V = working voltage (volt)
 ED = T2/T1 x 100



2/2-way NC solenoid valve, rear pneumatic interface
New

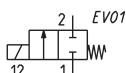
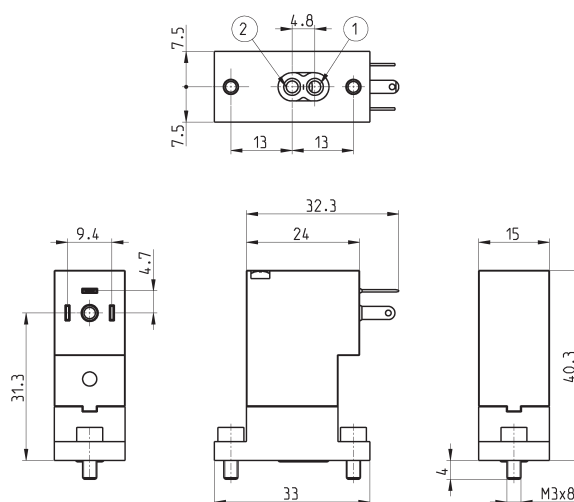

Supplied with:
 2x OR seals
 2x screws M3x20 UNI 8112
 (for standard version)
 or
 2x screws M3x23 UNI 10227
 (for version P)
 For use with vacuum invert channel
 1 and channel 2.



Mod.	Orifice Ø (mm)	Qn (NI/min)	Kv	Pressure min-max (bar)	Consumption (W)	ED (%)
PD000-2A1-R51	0.8	25	-	0 + 12	1	100
PD000-2A1-R53	0.8	25	-	0 + 12	1	100
PD000-2A2-R52	1.2	35	-	0 + 12	2	100
PD000-2A2-R55	1.2	35	-	0 + 12	2	100
PD000-2A3-R52	1.6	45	-	0 + 7	2	100
PD000-2A3-R55	1.6	45	-	0 + 7	2	100
PD000-2A4-R58	2	85	-	0 + 6	4	50
PD000-2A5-R58	2.5	125	-	0 + 4	4	50

2/2-way NC solenoid valve, low pneumatic interface
New


Supplied with:
 1x seal
 2x screws M3x8 UNI 5931
 For use with vacuum invert channel
 1 and channel 2.

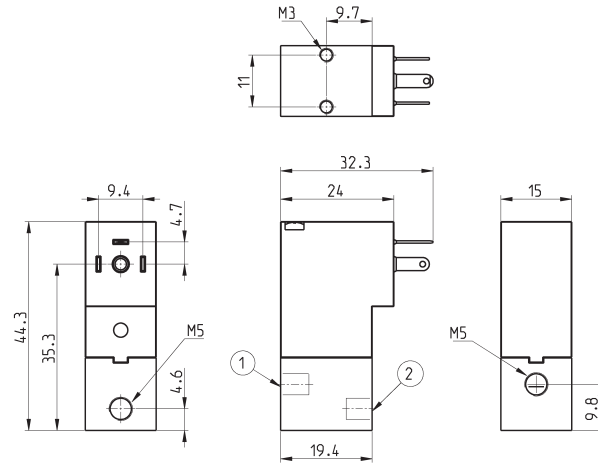
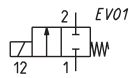


Mod.	Orifice Ø (mm)	Qn (NI/min)	Kv	Pressure min-max (bar)	Consumption (W)	ED (%)
PD000-2C1-R51	0.8	25	-	0 + 12	1	100
PD000-2C1-R53	0.8	25	-	0 + 12	1	100
PD000-2C2-R52	1.2	35	-	0 + 12	2	100
PD000-2C2-R55	1.2	35	-	0 + 12	2	100
PD000-2C3-R52	1.6	45	-	0 + 7	2	100
PD000-2C3-R55	1.6	45	-	0 + 7	2	100
PD000-2C4-R58	2	85	-	0 + 6	4	50
PD000-2C5-R58	2.5	125	-	0 + 4	4	50

2/2-way NC solenoid valve, M5 ports

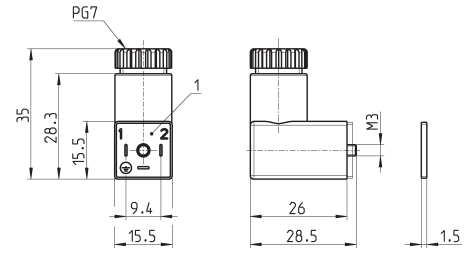
New

For use with vacuum invert channel 1 and channel 2.



Mod.	Orifice Ø (mm)	Qn (NI/min)	Kv	Pressure min-max (bar)	Consumption (W)	ED (%)
PD000-2E1-R51	0.8	25	-	0 ÷ 12	1	100
PD000-2E1-R53	0.8	25	-	0 ÷ 12	1	100
PD000-2E2-R52	1.2	35	-	0 ÷ 12	2	100
PD000-2E2-R55	1.2	35	-	0 ÷ 12	2	100
PD000-2E3-R52	1.6	45	-	0 ÷ 7	2	100
PD000-2E3-R55	1.6	45	-	0 ÷ 7	2	100

Connector Mod. 125-800 DIN 43650 pin spacing 9,4mm

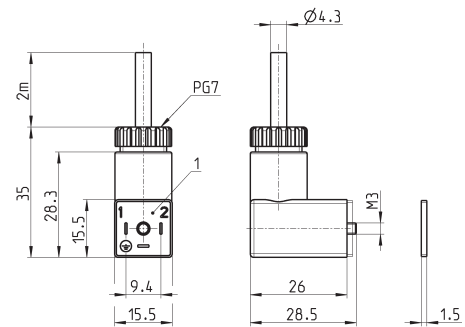

 Mod.
125-800

1 = 90° adjustable connector

Connector Mod. 125-900 DIN 43650 pin spacing 9,4mm



The internal rectifier circuit of this connector allows to use solenoid valves with different AC voltage, even if the voltage indicated on the solenoid valve is DC.

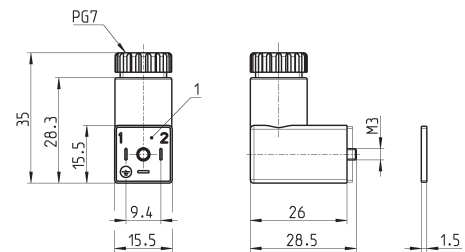

 Mod.
125-900

1 = 90° adjustable connector

Connectors Mod. 125-601, 125-701 DIN 43650 pin spacing 9,4mm

New


Mod. 125-601: transparent case with led and diode
 Mod. 125-701: transparent case with bipolar led and varistor


 Mod.
125-601
125-701

1 = 90° adjustable connector