

Series PN directly operated solenoid valves

3/2-way Normally Closed (NC). The solenoid valves can be mounted on a single base (with M5 ports) as well as on manifolds (with M5 ports or cartridge \varnothing 3 and 4).



» Compact design suitable for use in reduced mounting space

Note: all Series PN solenoid valves are basically in DC.
To operate in AC at the same target voltage, the valves require the connector Mod. 125-900 (see page 2/1.16.05).

Series PN directly operated solenoid valves are available as 3/2-way NC. They are equipped with a manual override which makes the plants setting easier and they can be mounted on single bases or on manifolds.

GENERAL DATA

TECHNICAL FEATURES

Function	3/2 NC
Operation	direct acting poppet type
Pneumatic connections	on subbase by means of M3 screws
Nominal diameter	0.8 mm
Nominal flow	12 NI/min (air @ 6 bar Δ P 1 bar)
Kv (l/min)	0.19
Operating pressure	0 ÷ 10 bar
Operating temperature	0 ÷ +50°C
Media	filtered air, class 5.4.4 according to ISO 8573-1 (max oil viscosity 32 cSt), inert gas
Response time	ON <10 msec - OFF <15 msec
Installation	in any position

MATERIALS IN CONTACT WITH THE MEDIUM

Body	PBT technopolymer
Seals	PU, NBR, (FKM on demand)
Internal parts	stainless steel

ELECTRICAL FEATURES

Voltage	24 ... 205 V DC
Voltage tolerance	\pm 10%
Power consumption	2 W - 1 W (24 V DC only)
Duty cycle	ED 100%
Electrical connection	DIN 43650 connector, (C Shaped), 9.4 mm
Protection class	IP65 with connector

Special versions available on demand

CODING EXAMPLE

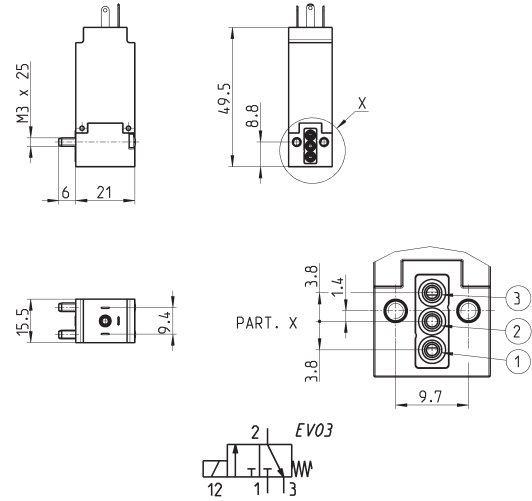
PN	0	00	-	3	0	1	-	P	5	3	
----	---	----	---	---	---	---	---	---	---	---	--

PN	SERIES
0	BODY DESIGN: 0 = single sub-base 1 = single manifold 2 = double sided manifold
00	NUMBER OF POSITIONS: 00 = interface 01 = single base (M5 only) 02 + 99 = manifold number of positions
3	NUMBER OF WAYS - FUNCTIONS: 0 = manifold or single base 3 = 3-way NC
0	VALVE PORTS: 0 = interface (for single valve only) MANIFOLD PORTS (for Series W, P and PN): 2 = M5 side port 3 = \varnothing 3 tube side port 4 = \varnothing 4 tube side port 6 = M5 rear ports 7 = \varnothing 3 tube rear ports 8 = \varnothing 4 tube rear ports
1	NOMINAL DIAMETER - MAX PRESSURE 1 = \varnothing 0,8 (1W) 10 bar (NC) 24V only
P	MATERIALS: P = PBT body, PU poppet seal
5	ELECTRICAL CONNECTION: 5 = 3 faston pitch 9,4
3	SOLENOID VOLTAGE: 3 = 24V DC 4 = 48V DC 6 = 110V DC 7 = 205V DC
	FIXING: = standard for the mounting on plastic interfaces M = with screw for the mounting on metal interface (on demand)

3/2-way NC solenoid valve

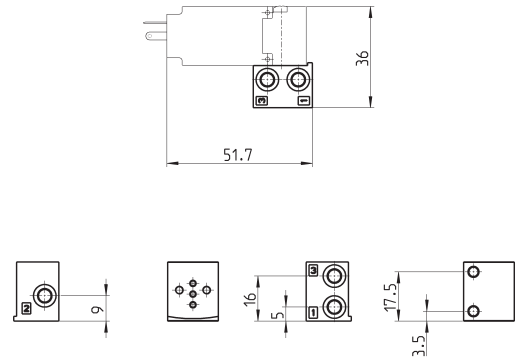


Supplied with:
1x interface seal
2x screws



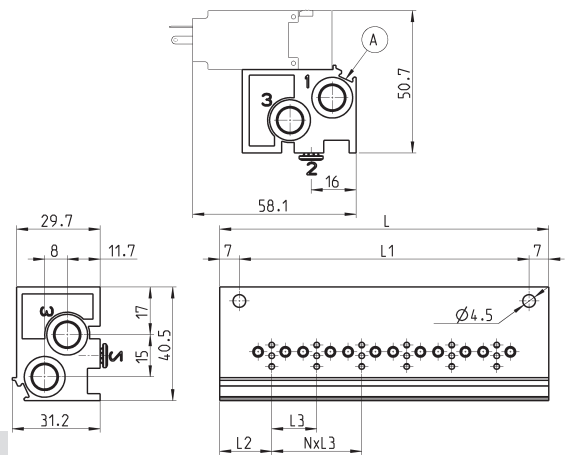
Mod.	Orifice Ø (mm)	Qn (NI/min)	Pressure min-max (bar)
PN000-301-P53	0.8	12	0 + 10

Single sub-base



Mod.
P001-02

Single manifold with rear outlets



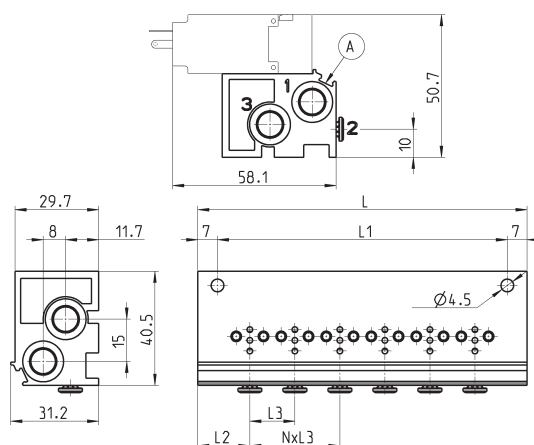
Mod.	Nr valves	L	L1	L2	L3	1 (P)	3 (R)
P102-0*	2	53	39	18,5	16	G1/8	G1/8
P103-0*	3	69	55	18,5	16	G1/8	G1/8
P104-0*	4	85	71	18,5	16	G1/8	G1/8
P105-0*	5	101	87	18,5	16	G1/8	G1/8
P106-0*	6	117	103	18,5	16	G1/8	G1/8

* = see the type of PORTS in the CODING EXAMPLE TABLE.

A = groove for electric connection identification

Single manifold with front outlets

This manifold is arranged to be fixed through DIN 46277/3 guide together with the accessory PCF-E520.

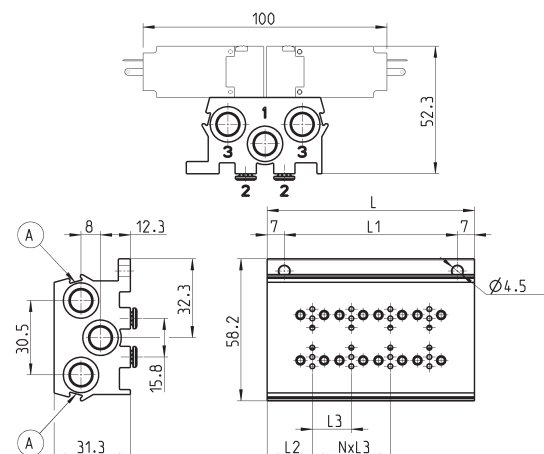


Mod.	Nr valves	L	L1	L2	L3	1 (P)	3 (R)
P102-0*	2	53	39	18,5	16	G1/8	G1/8
P103-0*	3	69	55	18,5	16	G1/8	G1/8
P104-0*	4	85	71	18,5	16	G1/8	G1/8
P105-0*	5	101	87	18,5	16	G1/8	G1/8
P106-0*	6	117	103	18,5	16	G1/8	G1/8

* = see the type of PORTS in the CODING EXAMPLE TABLE.

A = groove for electric connection identification

Double sided manifold with rear outlets



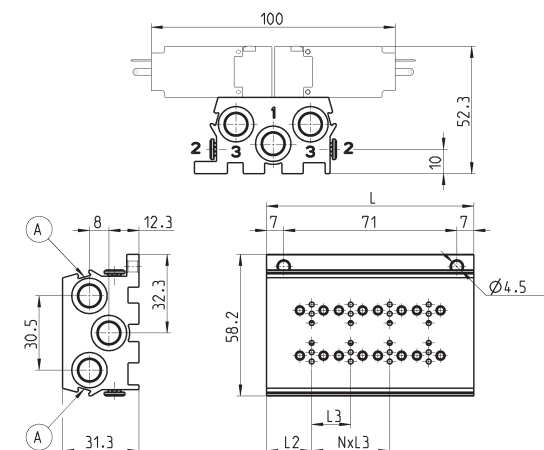
Mod.	Nr valves	L	L1	L2	L3	1 (P)	3 (R)
P204-0*	4	53	39	18,5	16	G1/8	G1/8
P206-0*	6	69	55	18,5	16	G1/8	G1/8
P208-0*	8	85	71	18,5	16	G1/8	G1/8
P210-0*	10	101	87	18,5	16	G1/8	G1/8
P212-0*	12	117	103	18,5	16	G1/8	G1/8

* = see the type of PORTS in the CODING EXAMPLE TABLE.

A = groove for electric connection identification

Double sided manifold with front outlets

This manifold is arranged to be fixed through DIN 46277/3 guide together with the accessory PCF-E520.



Mod.	Nr valves	L	L1	L2	L3	1 (P)	3 (R)
P204-0*	4	53	39	18,5	16	G1/8	G1/8
P206-0*	6	69	55	18,5	16	G1/8	G1/8
P208-0*	8	85	71	18,5	16	G1/8	G1/8
P210-0*	10	101	87	18,5	16	G1/8	G1/8
P212-0*	12	117	103	18,5	16	G1/8	G1/8

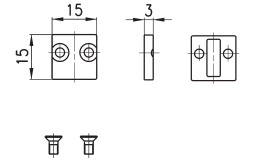
* = see the type of PORTS in the CODING EXAMPLE TABLE.

A = groove for electric connection identification

Excluder tap

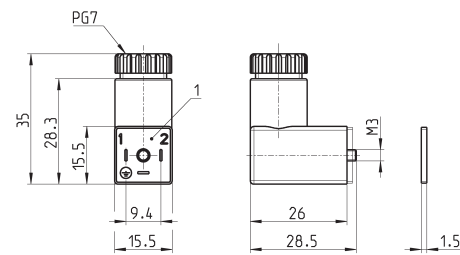


Supplied with:
 1x excluder tap
 1x interface seal
 2x screws



Mod.
P000-TP

Connector Mod. 125-800 DIN 43650 pin spacing 9,4mm



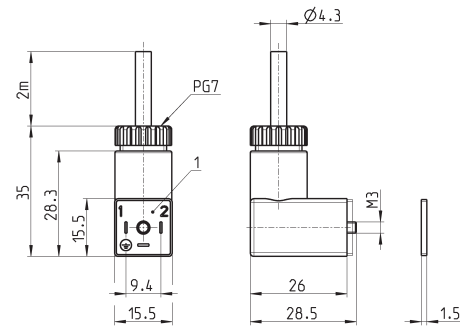
1 = 90° adjustable connector

Mod.
125-800

Connector Mod. 125-900 DIN 43650 pin spacing 9,4mm



The internal rectifier circuit of this connector allows to use solenoid valves with different AC voltage, even if the voltage indicated on the solenoid valve is DC.



1 = 90° adjustable connector

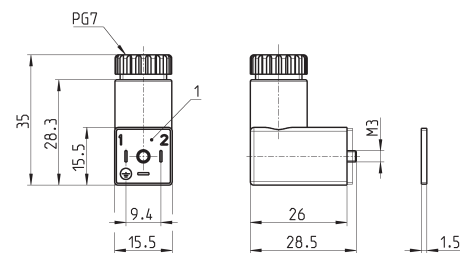
Mod.
125-900

Connectors Mod. 125-601, 125-701 DIN 43650 pin spacing 9,4mm

New



Mod. 125-601: transparent case with led and diode
 Mod. 125-701: transparent case with bipolar led and varistor



1 = 90° adjustable connector

Mod.
125-601
125-701