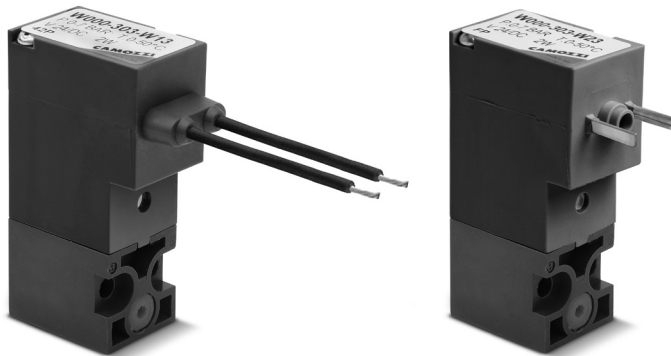


Series W directly operated solenoid valves

3/2-way monostable NC and NO, monostable. The solenoid valves can be mounted on a single base (with M5 ports) as well as on manifolds (with M5 ports or cartridge \varnothing 3 and 4).

- » Electrical connection according to DIN 43650
- » High flow rate



Series W directly operated solenoid valves are available as 3/2-way either NC or NO. Both versions can be mounted on single sub-bases or manifolds and they are equipped with a manual override which make the plants setting easier.

GENERAL DATA

TECHNICAL FEATURES

Function	3/2 NC - 3/2 NO
Operation	direct acting poppet type
Pneumatic connections	on subbase, ISO 15218 interface by means of screws
Nominal diameter	0.8 ... 1.5 mm
Nominal flow	14 ... 35 NI/min (air @ 6 bar Δ P 1 bar)
Kv (l/min)	0.22 ... 0.54
Operating pressure	0 ÷ 5 ... 10 bar
Operating temperature	0 ÷ +50°C
Media	filtered air, class 5.4.4 according to ISO 8573-1 (max oil viscosity 32 cSt), inert gas
Response time	ON <10 msec - OFF <15 msec
Manual override	monostable button
Installation	in any position

MATERIALS IN CONTACT WITH THE MEDIUM

Body	PBT technopolymer
Seals	PU, NBR, (FKM on demand)
Internal parts	stainless steel

ELECTRICAL FEATURES

Voltage	12 V DC - 24 V DC - 48 V DC
Voltage tolerance	±10%
Power consumption	2 W - 1 W (24 V DC only)
Duty cycle	ED 100%
Electrical connection	DIN 43650 connector, (C Shape), 8 mm
Protection class	IP65 with connector

Special versions available on demand

CODING EXAMPLE

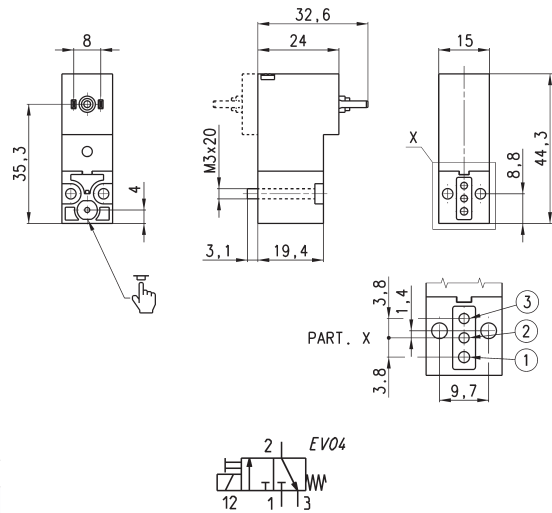
W	0	00	-	3	0	3	-	W	2	3	
----------	----------	-----------	----------	----------	----------	----------	----------	----------	----------	----------	--

W	SERIES
0	BODY DESIGN: 0 = single sub-base (only M5) or interface 1 = single manifold 2 = double manifold
00	NUMBER OF POSITIONS: 00 = interface 01 = single base (M5 only) 02 + 99 = manifold number of positions
3	NUMBER OF WAYS - FUNCTIONS: 0 = manifold or single sub-base 3 = 3-way NC 4 = 3-way NO 5 = 3-way NC electric part revolved by 180° 6 = 3-way NO electric part revolved by 180°
0	VALVE PORTS: 0 = interface MANIFOLD PORTS (for Series W, P and PN): 2 = M5 side 3 = tube ø 3 side 4 = tube ø 4 side 6 = M5 rear ports 7 = ø 3 tube rear ports 8 = ø 4 tube rear ports
3	NOMINAL DIAMETER - MAX PRESSURE 1 = ø 0,8 (1W) 10 bar (NC) 24V only 3 = ø 1,5 (2W) 7 bar (NC) 5 bar (NO) 5 = ø 1,1 NC (2W) 10 bar (NC) ø 0,9 NO (2W) 10 bar (NO)
W	MATERIALS: W = technopolymer PBT body, FKM poppet seal, other seals in NBR (FKM on demand)
2	ELECTRICAL CONNECTION: 1 = cables 300mm (24V DC only) 2 = 2 faston (24V - 48V DC)
3	SOLENOID VOLTAGE: 2 = 12V DC 3 = 24V DC 4 = 48V DC
	FIXING: = with screws for metal (standard) P = with screws for plastics

3/2-way NC solenoid valve, 2 faston (24V DC - 48V DC)



Supplied with:
 1x interface seal
 2x screws M3x20 UNI 8112 (for standard version)
 or
 2x screws M3x23 UNI 10227 (for version P)

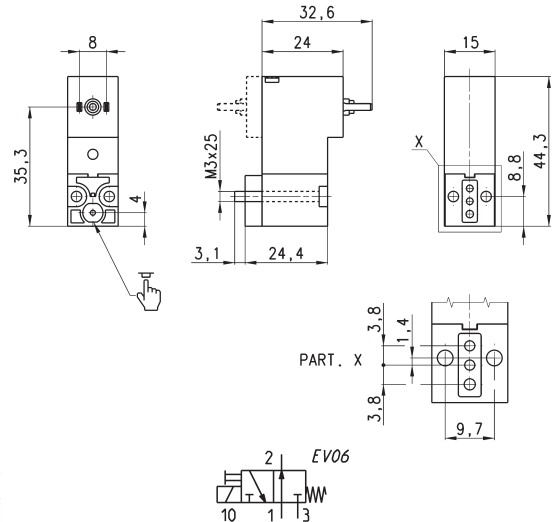


Mod.	Orifice Ø (mm)	Qn (NI/min)	Pressure min-max (bar)
W000-305-W23	1.1	25	0 + 10
W000-303-W23	1.5	35	0 + 7
W000-305-W24	1.1	25	0 + 10
W000-303-W24	1.5	35	0 + 7

3/2-way NO solenoid valve, 2 faston (24V DC - 48V DC)

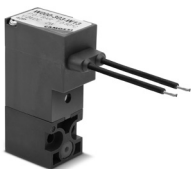


Supplied with:
 1x interface for NO version
 (connections 1 and 3 are inverted)
 2x interface seals
 2x screws M3x25 UNI 8112 (for standard version)

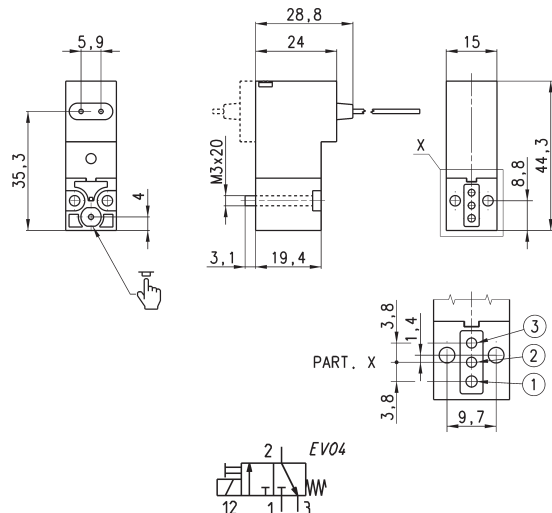


Mod.	Orifice Ø (mm)	Qn (NI/min)	Pressure min-max (bar)
W000-405-W23	0.9	15	0 + 10
W000-403-W23	1.5	23	0 + 5
W000-405-W24	0.9	15	0 + 10
W000-403-W24	1.5	23	0 + 5

3/2-way NC solenoid valve with cables of 300mm (24V DC only)

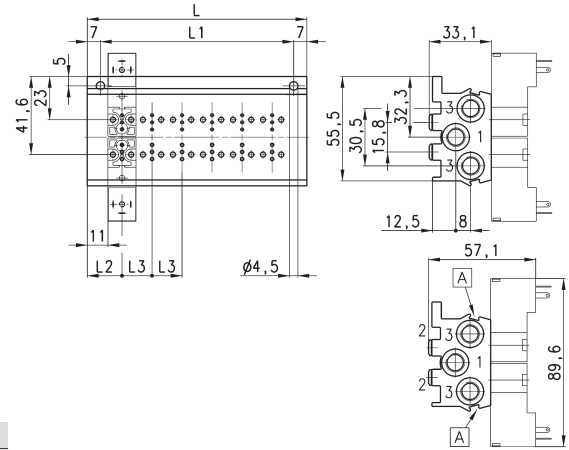


Supplied with:
 1x interface seal
 2x screws M3x20 UNI 8112 (for standard version)
 or
 2x screws M3x23 UNI 10227 (for version P)



Mod.	Orifice Ø (mm)	Qn (NI/min)	Pressure min-max (bar)
W000-305-W13	1.1	25	0 + 10
W000-303-W13	1.5	35	0 + 7

Double sided manifold with rear outlets



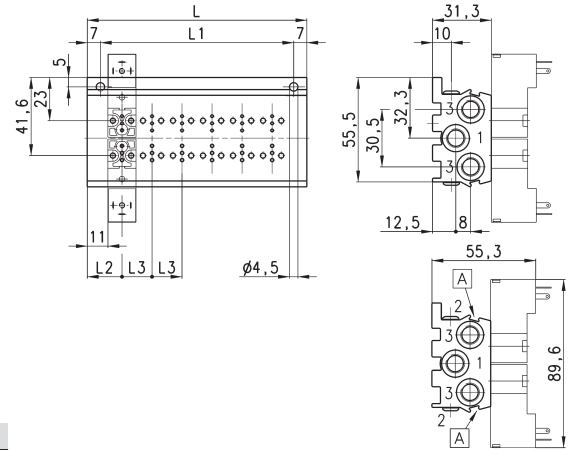
DIMENSIONS							
Mod.	Nr valves	L	L1	L2	L3	1 (P)	3 (R)
P204-0*	4	53	39	18,5	16	G1/8	G1/8
P206-0*	6	69	55	18,5	16	G1/8	G1/8
P208-0*	8	85	71	18,5	16	G1/8	G1/8
P210-0*	10	101	87	18,5	16	G1/8	G1/8
P212-0*	12	117	103	18,5	16	G1/8	G1/8

* = see the type of PORTS in the CODING EXAMPLE TABLE.

A = groove for electric connection identification

Double sided manifold with front outlets

This manifold is arranged to be fixed through DIN 46277/3 guide together with the accessory PCF-E520.



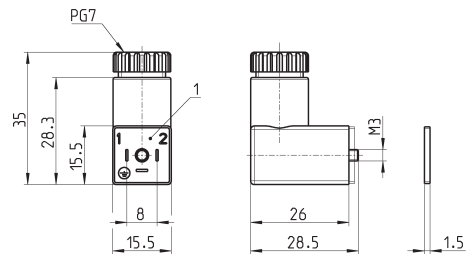
DIMENSIONS							
Mod.	Nr valves	L	L1	L2	L3	1 (P)	3 (R)
P204-0*	4	53	39	18,5	16	G1/8	G1/8
P206-0*	6	69	55	18,5	16	G1/8	G1/8
P208-0*	8	85	71	18,5	16	G1/8	G1/8
P210-0*	10	101	87	18,5	16	G1/8	G1/8
P212-0*	12	117	103	18,5	16	G1/8	G1/8

* = see the type of PORTS in the CODING EXAMPLE TABLE.

A = groove for electric connection identification

Connector Mod. 126-800 DIN 43650 pin spacing 8 mm

To be used in all DC valves with voltages from 6 to 110 V.



1 = 90° adjustable connector

Mod.
126-800