

Filter/regulator Series MC

NEW

Ports G1/4, G3/8 and G1/2
Modular
with metal bowl and bayonet-type mounting

The filter regulators Series MC are available with ports G1/4, G3/8 and G1/2. They combine the features of the filters and regulators and have smaller overall dimensions than the two separate components.

For modular assembly see page 6.09.002



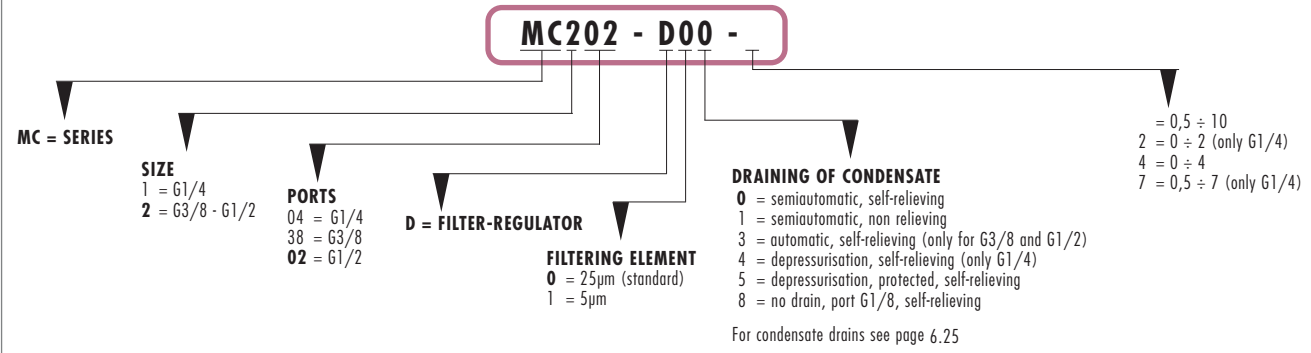
GENERAL DATA

Construction	compact modular with filtering element in HDPE - diaphragm type			
Materials	zama, NBR, technopolymer			
Ports	G1/4	G3/8	G1/2	
Condensate capacity	cm ³	28	72	72
Weight	kg	0,443	0,948	0,928
Pressure gauge ports	G1/8			
Mounting	vertical in-line or wall-mounting			
Operating temperature	0°C ÷ 50°C at 10 bar			
Porosity of filtering element	25 µm standard - 5 µm upon request			
Draining of condensate	manual - semi-automatic standard			
Finish	enamelled			

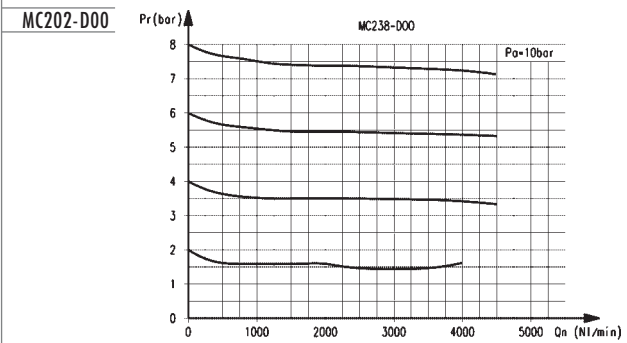
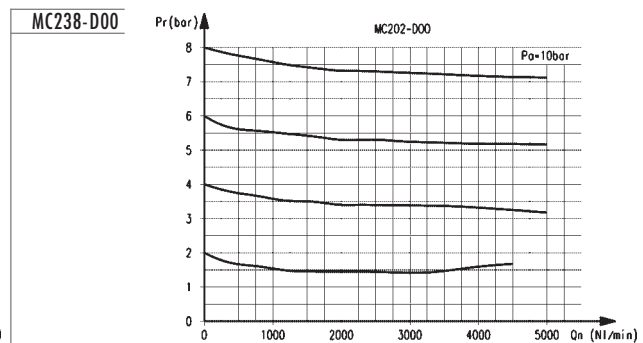
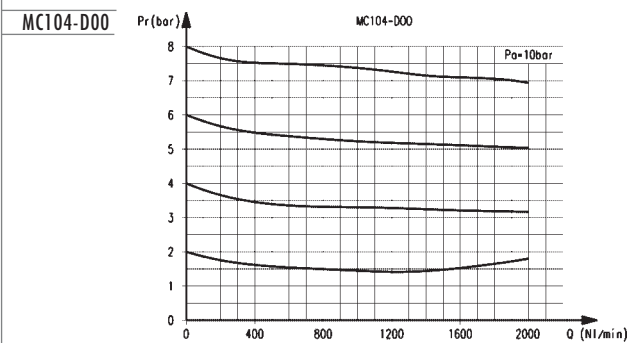
PNEUMATIC DATA

Inlet pressure	with standard drain and protected depressurisation	0,3 ÷ 16 bar
	with depressurisation	0,3 ÷ 10 bar
	with automatic drain	1,5 ÷ 15 bar for G3/8 and G1/2
Outlet pressure	0.5 ÷ 10 bar	
Nominal flow	see graphs	
Secondary pressure relieving	standard	

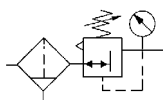
CODING



FLOW DIAGRAMS



Filter regulators Series MC



DIMENSIONS

Mod.	A	B	C	D	E	F	G	H	I
MC104 - D00	190,5	102	52	38	11	126,5	27,5	4	28
MC238 - D00	256,5	133	64	59	14	162	35	5	45
MC202 - D00	256,5	133	64	59	14	162	35	5	45

Mod.	L	M	N	O	P	Q	R	S	T	U
MC104 - D00	30x1,5	45	45	G1/8	37	58	3	0:6	35	G1/4
MC238 - D00	47x1,5	62	59	G1/8	53	72	3,5	0:9	46	G3/8
MC202 - D00	47x1,5	62	59	G1/8	53	72	3,5	0:9	46	G1/2

