

Series 43 hydrochecks

1

MOVEMENT

Bore \varnothing 40mm
 Regulated thrust or return stroke
 Skip-Stop function



The Series 43 hydrocheck units are available with two different types of control: regulated outward movement and fast return; or fast outward movement and regulated return. These hydrochecks come complete with an oil surge tank which ensures automatic equalisation. Speed variation is obtained by means of an incorporated flow regulator designed to allow comprehensive and constant use.

Upon request, they can be supplied with an incorporated stop valve or an acceleration valve or both. To restore oil when the minimum level in the surge tank is reached, use the following oil and pump Mod. 43N-PMP: hydraulic oil, class H, ISO symbol HG 46, viscosity 4.5 E. at 40°C.

GENERAL DATA

Type of construction	with tie-rods
Operation	regulated thrust or return stroke
Controllable load	max. 600 Kgf without valves, max 500 Kgf with valves (including inertia of moving masses)
Operating temperature	-10°C ÷ +60°C
Media	hydraulic oil, class H, ISO symbol HG 46, viscosity 4.5 E. at 40°C
Speed	70 - 10000 mm/min without valves, 0 - 6000 mm/min with valves
Standard stroke	50, 100, 150, 200 (special stroke available on request)
Special designs	with STOP or SKIP and SKIP/STOP valve *
SKIP/STOP valve operating pressure	4 ÷ 8 bar
Type of mounting	feet Mod. B-40 (see B-41-40 for dimensions)

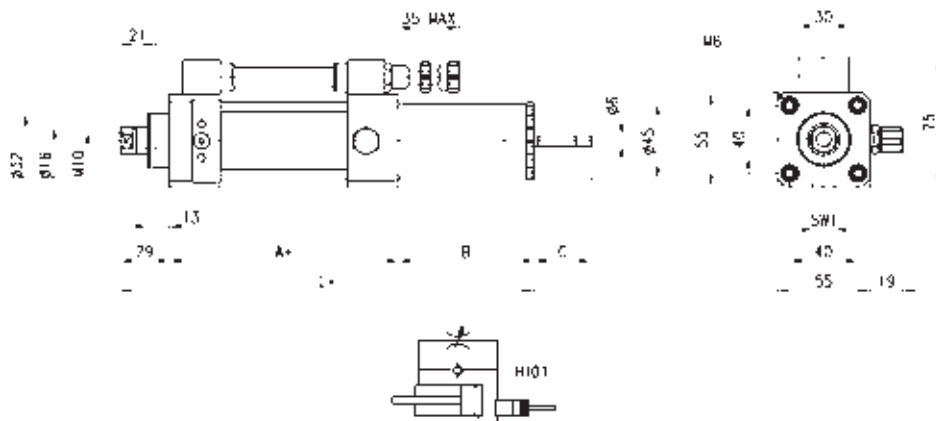
* = minimum stroke 80mm

CODING EXAMPLE

43	N	-	P	S	0	-	40	-	200
-----------	----------	----------	----------	----------	----------	----------	-----------	----------	------------

43	SERIES
N	VERSION N = standard S = special
P	TANK POSITION L = tank in series P = tank parallel D = double valve, tank parallel
S	REGULATION S = thrust (hydrocheck's rod return regulated) T = traction (hydrocheck's rod thrust regulated)
0	OPERATION A = SKIP valve B = SKIP + STOP valve * V = STOP valve 0 = standard
40	BORE 40mm
200	STROKE in mm

* = minimum stroke 80mm

Hydrochecks Mod. 43N-LT0-40


+ = add the stroke

DIMENSIONS

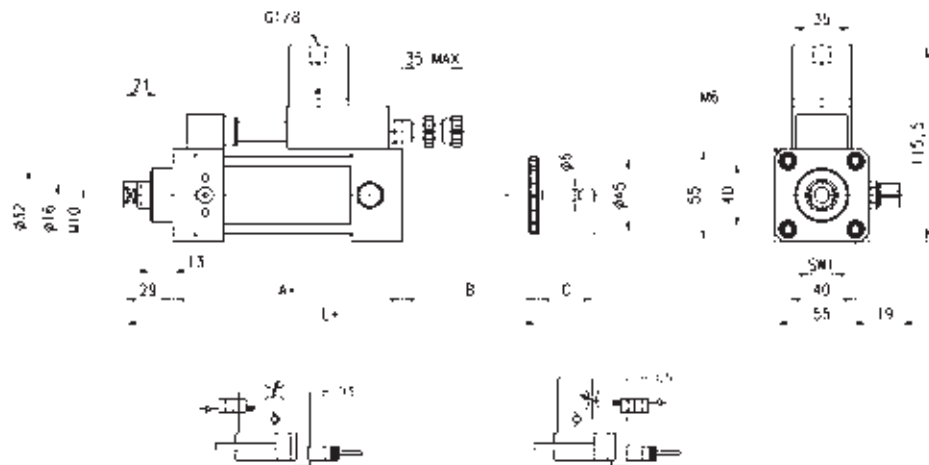
Mod.	Strokes (mm)	A+	B	C	L+	SW1
43N-LT0-40	50-100	85	80	32	194	13
43N-LT0-40	150-200	85	100	47	214	13

Hydrochecks Mod. 43N-LTA-40 and 43N-LTV-40

On request



+ = add the stroke



DIMENSIONS

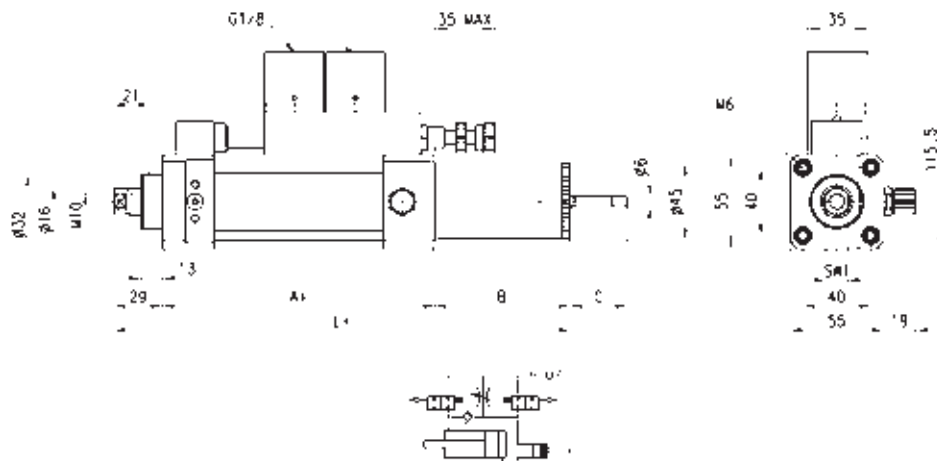
Mod.	Strokes (mm)	A+	B	C	L+	SW1	Pneumatic symbol
43N-LTA-40	50-100	85	80	32	194	13	HI05
43N-LTA-40	150-200	85	100	47	214	13	HI05
43N-LTV-40	50-100	85	80	32	194	13	HI03
43N-LTV-40	150-200	85	100	47	214	13	HI03

Hydrochecks Mod. 43N-LTB-40

On request



+ = add the stroke

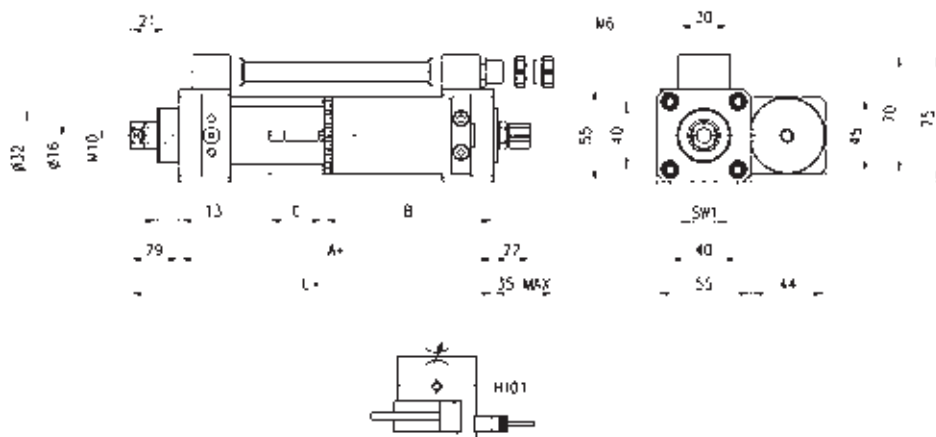


DIMENSIONS

Mod.	Strokes (mm)	A+	B	C	L+	SW1
43N-LTB-40	50-100	85	80	32	194	13
43N-LTB-40	150-200	85	100	47	214	13

Hydrochecks Mod. 43N-PT0-40

On request

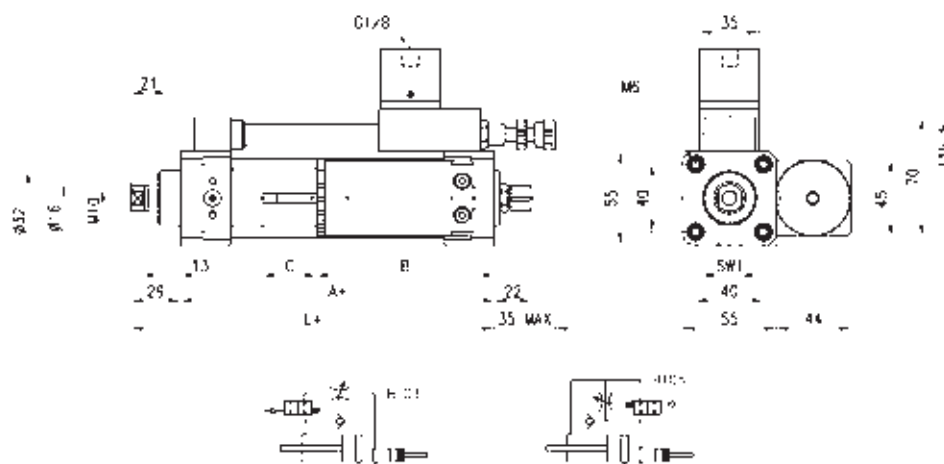


+ = add the stroke

DIMENSIONS

Mod.	Strokes (mm)	A+	B	C	L+	SW1
43N-PT0-40	50	85	100	32	114	13
43N-PT0-40	100	85	105	32	114	13
43N-PT0-40	150-200	85	125	47	114	13

Hydrochecks Mod. 43N-PTA-40 and 43N-PTV-40



+ = add the stroke

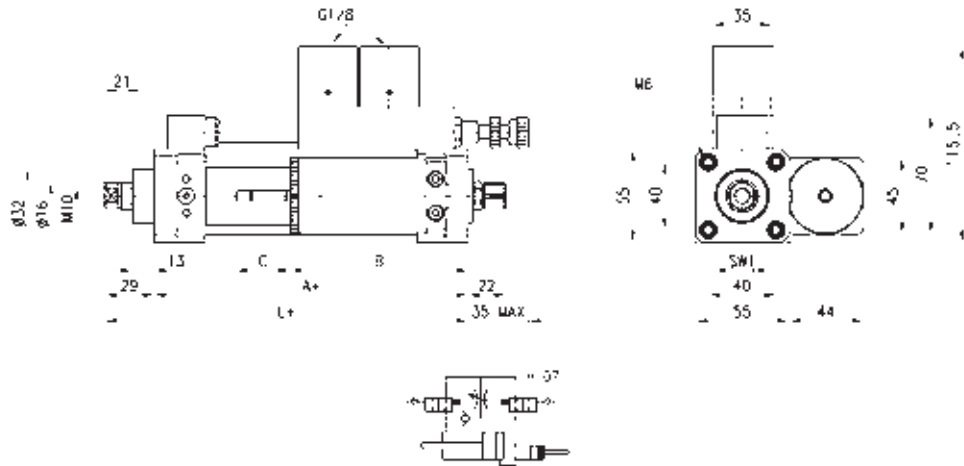
DIMENSIONS

Mod.	Strokes (mm)	A+	B	C	L+	SW1	Pneumatic symbol
43N-PTA-40	50	85	100	32	114	13	HI05
43N-PTA-40	100	85	105	32	114	13	HI05
43N-PTA-40	150-200	85	125	47	114	13	HI05
43N-PTV-40	50	85	100	32	114	13	HI03
43N-PTV-40	100	85	105	32	114	13	HI03
43N-PTV-40	150-200	85	125	47	114	13	HI03

Hydrochecks Mod. 43N-PTB-40



+ = add the stroke



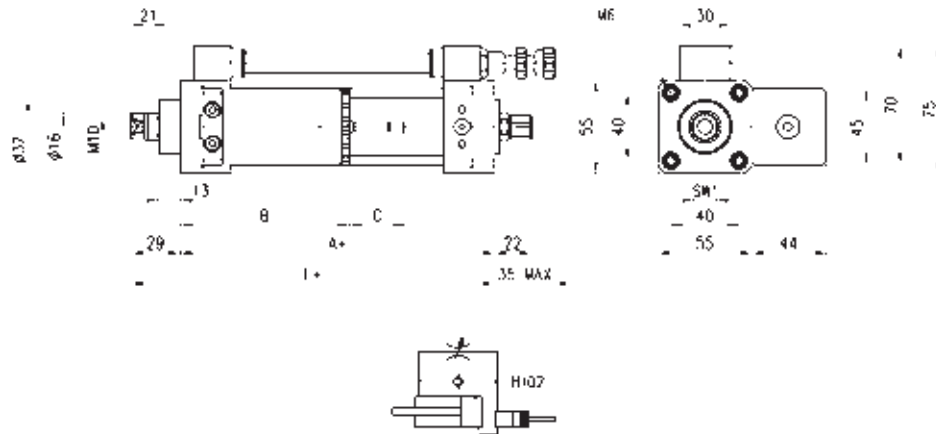
DIMENSIONS

Mod.	Strokes (mm)	A+	B	C	L+	SW1
43N-PTB-40	50	85	100	32	114	13
43N-PTB-40	100	85	105	32	114	13
43N-PTB-40	150-200	85	125	47	114	13

Hydrochecks Mod. 43N-PS0-40



+ = add the stroke

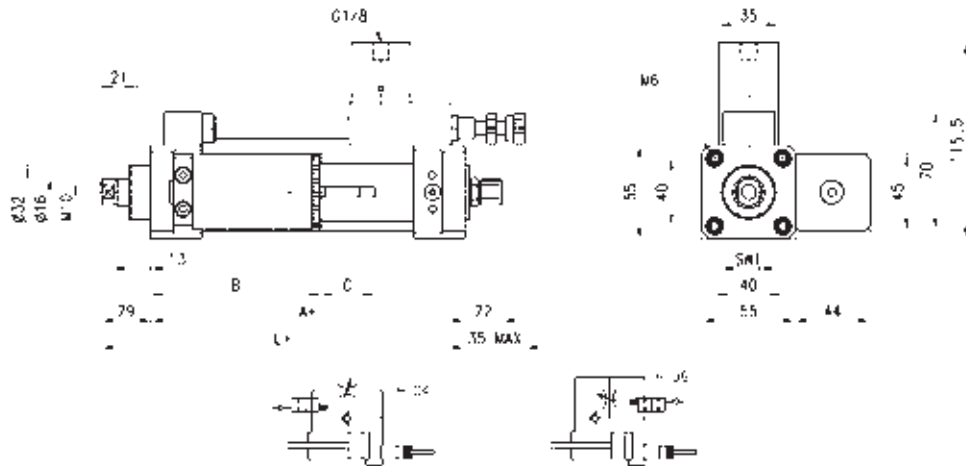


DIMENSIONS

Mod.	Strokes (mm)	A+	B	C	L+	SW1
43N-PS0-40	50	85	100	32	114	13
43N-PS0-40	100	85	105	32	114	13
43N-PS0-40	150-200	85	125	47	114	13

Hydrochecks Mod. 43N-PSA-40 and 43N-PSV-40

On request

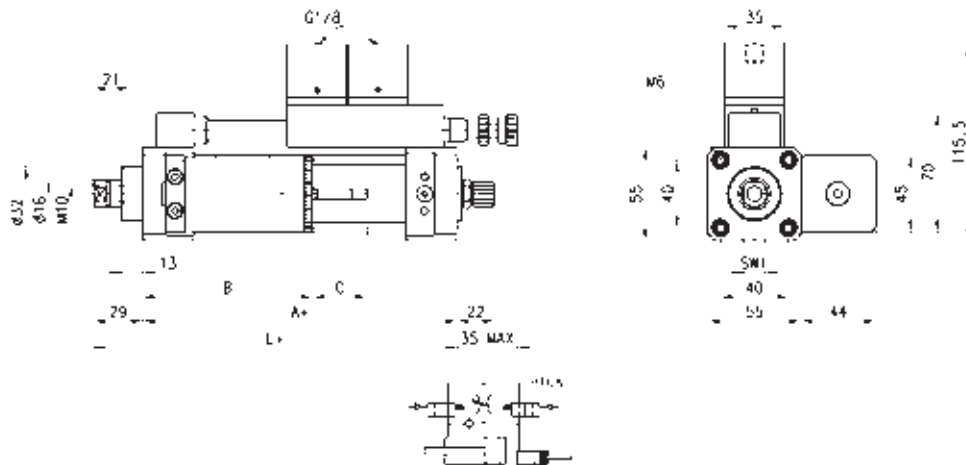


+ = add the stroke

DIMENSIONS

Mod.	Strokes (mm)	A+	B	C	L+	SW1	Pneumatic symbol
43N-PSA-40	50	85	100	32	114	13	HI06
43N-PSV-40	50	85	100	32	114	13	HI04
43N-PSA-40	100	85	105	32	114	13	HI06
43N-PSV-40	100	85	105	32	114	13	HI04
43N-PSA-40	150-200	85	125	47	114	13	HI06
43N-PSV-40	150-200	85	125	47	114	13	HI04

Hydrochecks Mod. 43N-PSB-40



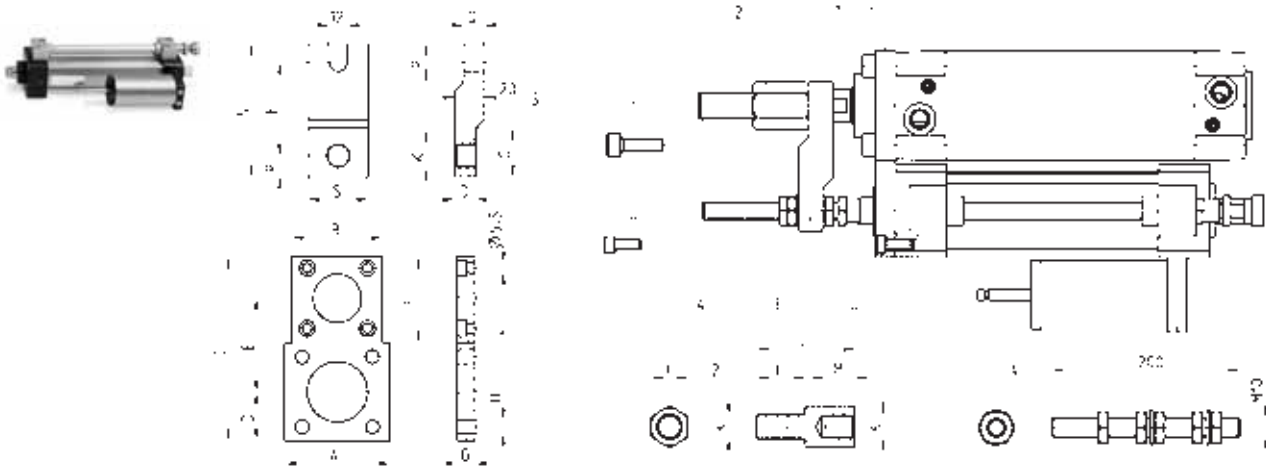
+ = add the stroke

DIMENSIONS

Mod.	Strokes (mm)	A+	B	C	L+	SW1
43N-PSB-40	100	85	105	32	114	13
43N-PSB-40	150-200	85	125	47	114	13

Connecting kit Mod. 43N-40

Hydrocheck connecting kit to suit cylinders Ø 40 - 50 - 63 - 80.



DIMENSIONS

Mod.	A	B	C	D	E	F	G	H	I	J	K	L	M	N	O	P	Q	R	S	T (x4)	U (x4)
43N-40-40	60	-	110	26,5	56	-	12	7	19	47	M12X1,25	24	14	80	25	25	14	12	40	M6x25	M6x16
43N-40-50	70	60	122	32,5	62	57	12	9	24	65	M16X1,5	32	20	88	32	25	14	14	40	M8x25	M6x16
43N-40-63	80	60	132	37,5	67	57	20	9	24	65	M16X1,5	32	20	93	32	25	14	14	40	M8x35	M6x25
43N-40-80	100	60	152	47,5	77	57	20	11	30	78	M20X1,5	40	25	107	-	-	-	18	50	M10x35	M6x25

Hydrocheck refilling pump Mod. 43N-PMP

Pump for refilling hydrocheck speed regulator



Mod.

43N-PMP