

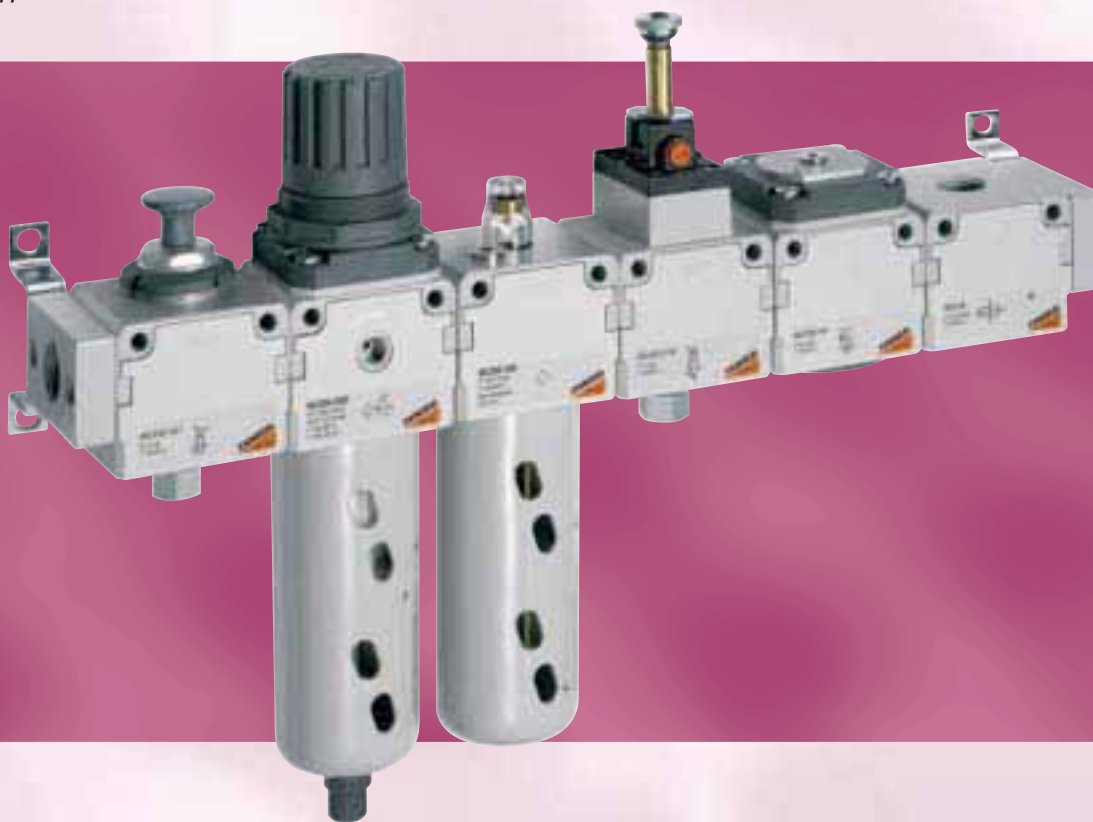
FRL Series MC Assembled

NEW

Ports G1/4, G3/8 and G1/2

The FRL Series MC in the assembled version are more easy to order (one single code) and to mount.

The versione with terminal flanges is supplied without tie-rods.



GENERAL DATA

Construction	modular, compact
Materials	zama, NBR, technopolymer
Ports	G1/4 - G3/8 - G1/2
Mounting	vertical, in-line or wall-mounting
Operating temperature	0°C ÷ 50°C at 10 bar
Finish	enamelled
Flow	determined at 6 bar inlet supply with $\Sigma P 1$ ($\Sigma P 0,5$ only for FRL)

CODING

MC202 - C - 5 - FL

MC = SERIES

SIZE
1 = G1/4
2 = G3/8 - G1/2

PORT
04 = G1/4
38 = G3/8
02 = G1/2

ASSEMBLY GROUP

C = D + L
E = V01 + D + L
FRL = F + R + L
GN = D + L + V16 + AV
HNA = V01 + D + L + V16 + AV + PRESS N.A.
HNC = V01 + D + L + V16 + AV + PRESS N.C.
N = V01 + D

PN = D + V16 + AV
QN = V01 + D + V16 + AV
TN = V01 + D + L + V16 + AV
U = F13 + FB3 (only for 3/8 - 1/2)
ZNA = V01 + D + V16 + AV + PRESS N.A.
ZNC = V01 + D + V16 + AV + PRESS N.C.

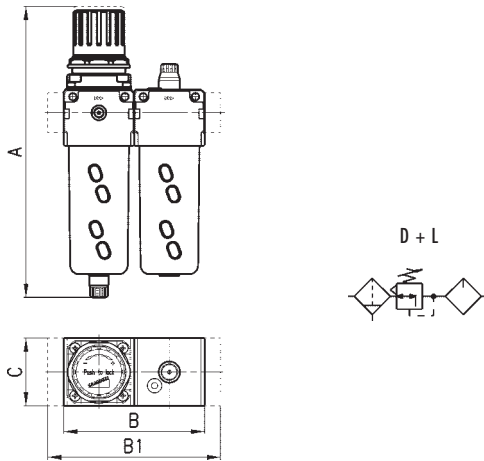
FILTERING ELEMENT
5 = 5 µm (standard)
25 = 25 µm (upon request)

VERSION
FL = with terminal flanges

D	Filter-regulator 0-10 bar semi-automatic manual drain filtering element 5µm or 25µm
V01	Valve 3/2 way manually operated
V16	Valve 3/2 way electropneumatically operated
L	Lubricator

F	Filter 5 µm or 25 µm
R	Regulator 0 - 10 bar
AV	Soft start valve
PRESS	Pressure switches (define if NC or NO)

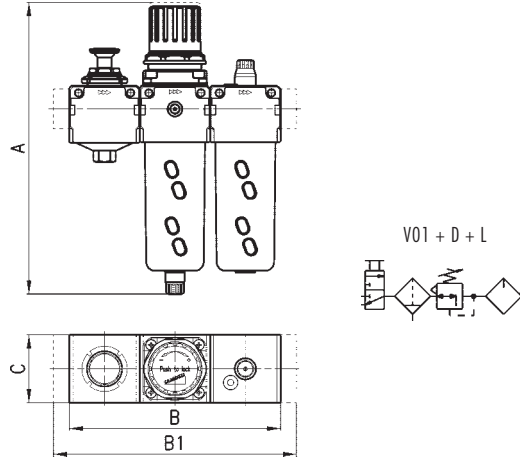
Assembly group C



DIMENSIONS				
Mod.	A	B	C	Flow NI/min
MC104-C-5	193,5	90	45	1450
MC238-C-5	256,5	124	60	4800
MC202-C-5	256,5	124	60	4900

DIMENSIONS				
Mod.	A	B1	C	Flow NI/min
MC104-C-5-FL	193,5	114	45	1450
MC238-C-5-FL	256,5	152	60	4800
MC202-C-5-FL	256,5	152	60	4900

Assembly group E

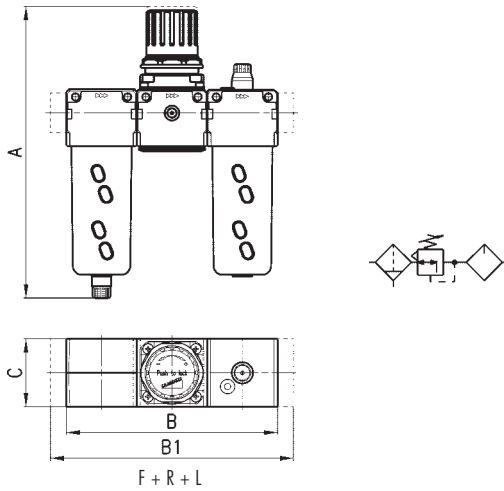


DIMENSIONS				
Mod.	A	B	C	Flow NI/min
MC104-E-5	193,5	135	45	1450
MC238-E-5	256,5	186	60	4800
MC202-E-5	256,5	186	60	4950

DIMENSIONS				
Mod.	A	B1	C	Flow NI/min
MC104-E-5-FL	193,5	159	45	1450
MC238-E-5-FL	256,5	214	60	4800
MC202-E-5-FL	256,5	214	60	4950

The company reserves the right to vary models and dimensions without notice. These products are designed for industrial applications and are not suitable for sale to the general public.

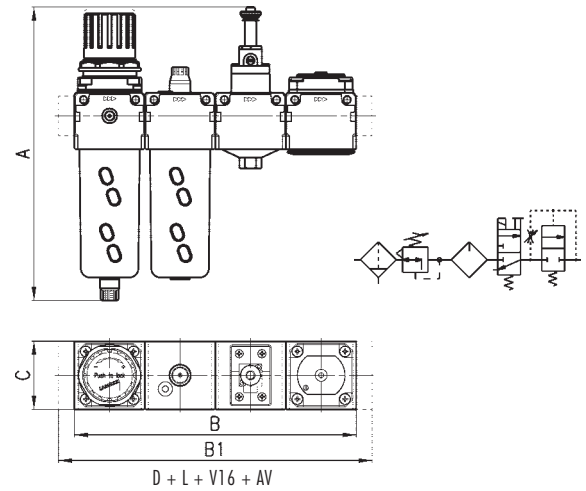
Assembly group FRL



DIMENSIONS				
Mod.	A	B	C	Flow NI/min
MC104-FRL-5	193	135	45	1450
MC238-FRL-5	256,5	186	60	4800
MC202-FRL-5	256,5	186	60	4900

DIMENSIONS				
Mod.	A	B1	C	Flow NI/min
MC104-FRL-5-FL	193,5	159	45	1450
MC238-FRL-5-FL	256,5	214	60	4800
MC202-FRL-5-FL	256,5	214	60	4900

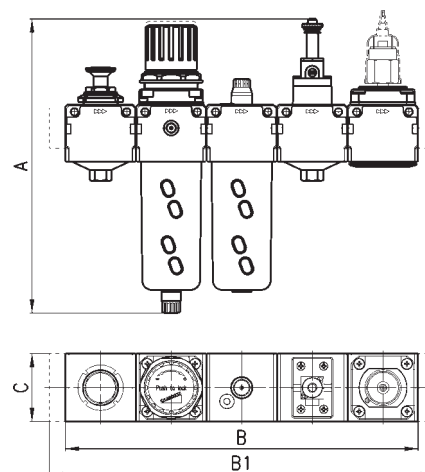
Assembly group GN



DIMENSIONS				
Mod.	A	B	C	Flow NI/min
MC104-GN-5	208	180	45	1450
MC238-GN-5	259	248	60	4800
MC202-GN-5	259	248	60	4900

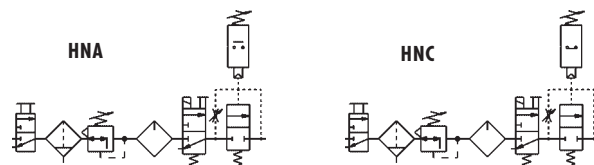
DIMENSIONS				
Mod.	A	B1	C	Flow NI/min
MC104-GN-5-FL	208	204	45	1450
MC238-GN-5-FL	259	276	60	4800
MC202-GN-5-FL	259	276	60	4950

Assembly group HN...

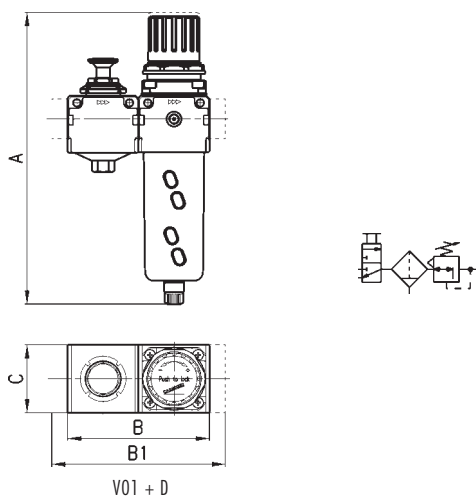


DIMENSIONS				
Mod.	A	B	C	Flow NI/min
MC104-HN...-5	208	225	45	1450
MC238-HN...-5	259	310	60	4800
MC202-HN...-5	259	310	60	4950

DIMENSIONS				
Mod.	A	B1	C	Flow NI/min
MC104-HN...-5-FL	208	249	45	1450
MC238-HN...-5-FL	259	338	60	4800
MC202-HN...-5-FL	259	338	60	4950



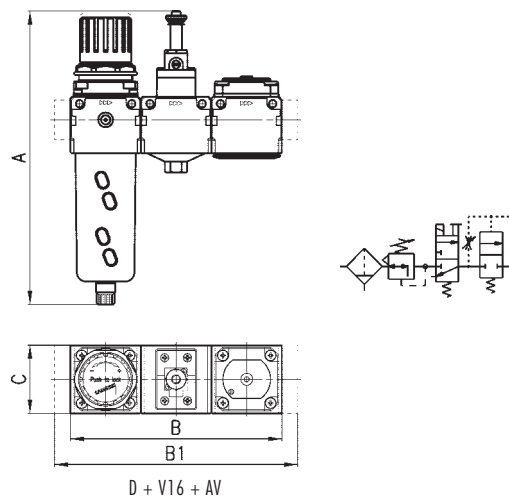
Assembly group N



DIMENSIONS				
Mod.	A	B	C	Flow NI/min
MC104-N-5	193,5	90	45	1450
MC238-N-5	256,5	124	60	4800
MC202-N-5	256,5	124	60	4950

DIMENSIONS				
Mod.	A	B1	C	Flow NI/min
MC104-N-5-FL	193,5	114	45	1450
MC238-N-5-FL	256,5	152	60	4800
MC202-N-5-FL	256,5	152	60	4950

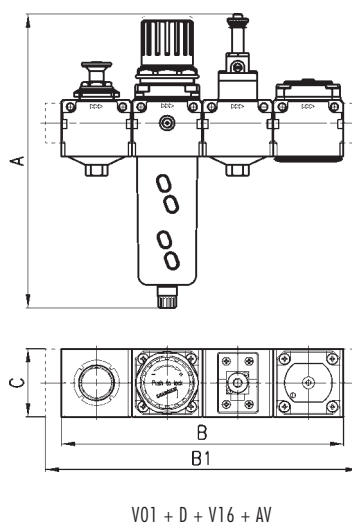
Assembly group PN



DIMENSIONS				
Mod.	A	B	C	Flow NI/min
MC104-PN-5	208	135	45	1450
MC238-PN-5	259	186	60	4800
MC202-PN-5	259	186	60	4950

DIMENSIONS				
Mod.	A	B1	C	Flow NI/min
MC104-PN-5-FL	208	208	45	1450
MC238-PN-5-FL	259	276	60	4800
MC202-PN-5-FL	259	276	60	4950

Assembly group QN



DIMENSIONS				
Mod.	A	B	C	Flow NI/min
MC104-QN-5	208	180	45	1450
MC238-QN-5	259	248	60	4800
MC202-QN-5	259	248	60	4950

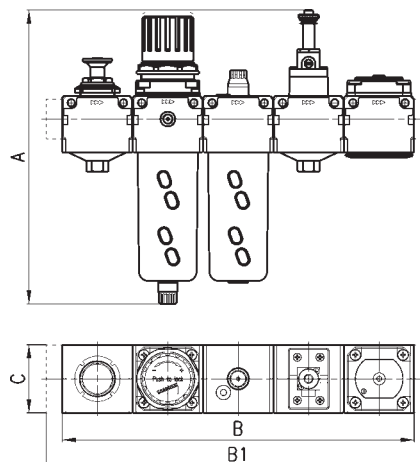
DIMENSIONS				
Mod.	A	B1	C	Flow NI/min
MC104-QN-5-FL	208	204	45	1450
MC238-QN-5-FL	259	276	60	4800
MC202-QN-5-FL	259	276	60	4950

Assembly group TN



DIMENSIONS				
Mod.	A	B	C	Flow NI/min
MC104-TN-5	208	225	45	1450
MC238-TN-5	259	310	60	4800
MC202-TN-5	259	310	60	4950

DIMENSIONS				
Mod.	A	B1	C	Flow NI/min
MC104-TN-5-FL	208	225	45	1450
MC238-TN-5-FL	259	310	60	4800
MC202-TN-5-FL	259	310	60	4950



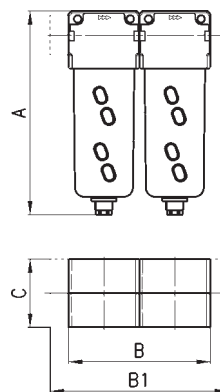
$V01 + D + L + V16 + AV$

Assembly group U



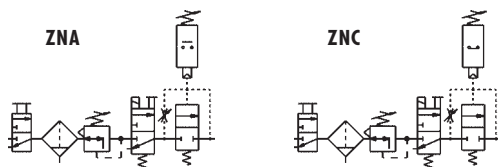
DIMENSIONS				
Mod.	A	B	C	Flow NI/min
MC238-U-5	180	124	60	2050
MC202-U-5	180	124	60	2300

DIMENSIONS				
Mod.	A	B1	C	Flow NI/min
MC238-U-5-FL	180	152	60	2050
MC202-U-5-FL	180	152	60	2300



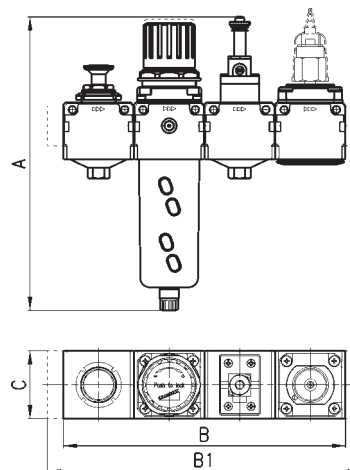
$F13 + FB3$

Assembly group ZN...



DIMENSIONS				
Mod.	A	B	C	Flow NI/min
MC104-ZN...-5	208	180	45	1450
MC238-ZN...-5	259	248	60	4800
MC202-ZN...-5	259	248	60	4950

DIMENSIONS				
Mod.	A	B1	C	Flow NI/min
MC104-ZN...-5-FL	208	204	45	1450
MC238-ZN...-5-FL	259	276	60	4800
MC202-ZN...-5-FL	259	276	60	4950



$V01 + D + V16 + AV + PRESS$