

Lubricators Series MC

NEW

Ports G1/4, G3/8 and G1/2
Modular
with metal bowl and bayonet-type mounting

The Series MC lubricators are available with ports G1/4, G3/8 and G1/2. The bowls of these lubricators are made of metal and are equipped with a transparent viewer. The oil flow can be monitored via the small transparent cap and regulated by means of the special adjusting screw.

For modular assembly see page 6.09.002



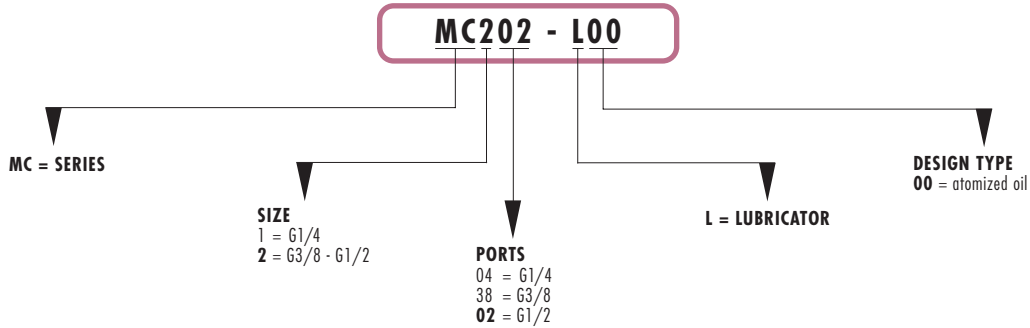
GENERAL DATA

Construction	modular compact		
Materials	zama, NBR, technopolymer		
Ports	G1/4	G3/8	G1/2
Oil capacity	cm ³ 37	170	170
Weight	kg 0,338	0,712	0,674
Mounting	vertical in-line or wall-mounting		
Operating temperature	0°C ÷ 50°C at 10 bar		
Oil refilling	without pressure (G1/4); normal also during use (G3/8 - G1/2)		
Oil for lubrication	from 3° ÷ 10° E (ask our engineers for types)		
Finish	enamelled		

PNEUMATIC DATA

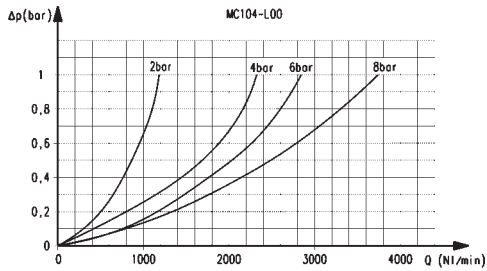
Operating pressure	0 ÷ 16 bar		
Nominal flow	see graphs		
Min. air consumption for lubr (NL/min)	G1/4	G3/8	G1/2
at 1 bar	8	8	8,5
at 6 bar	15	17,5	15,5

CODING

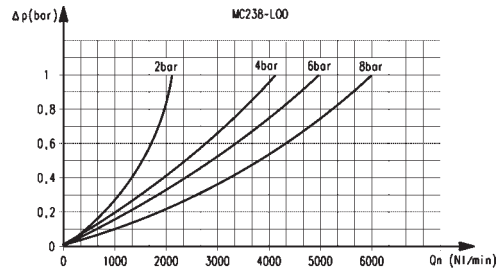


FLOW DIAGRAMS

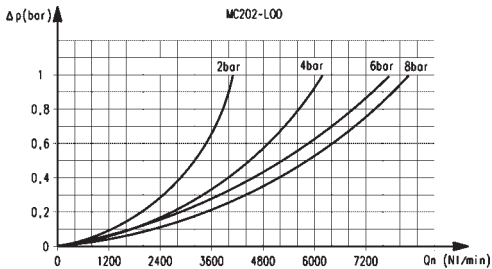
MC104-L00



MC238-L00



MC202-L00



Lubricators Series MC



DIMENSIONS

Mod.	A	B	C	D	E	F	G	H	M	N	P	Q	T	U
MC104-L00	148	83	40	25	11	107	41	4	45	45	37	84	35	G1/4
MC238-L00	187	115	50	22	14	144	43	5	62	60	53	117	46	G3/8
MC202-L00	187	115	50	22	14	144	43	5	62	60	53	117	46	G1/2

