

## Lubricator Series N

Ports G1/8, G1/4  
with screw-on transparent bowl

The Series "N" lubricator is available with G1/4 and G1/8 ports. The special type of design caters for a vast range of applications in relation to the amount of oil atomized and the air consumed. The body of the lubricator is made of OT58 brass, while the bowl is transparent.



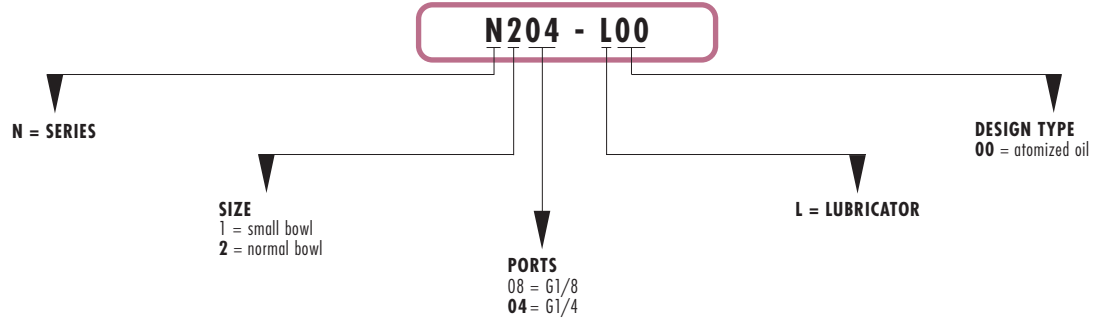
### GENERAL DATA

Construction	compensation valve
Materials	brass, technopolymer, NBR
Ports	G1/8 - G1/4
Oil capacity	26 cm <sup>3</sup> = size 1    37 cm <sup>3</sup> = size 2
Weight	kg 0,240
Mounting	vertical, in-line
Operating temperature	0°C ÷ 50°C at 10 bar
Oil refilling	without pressure
Oil for lubricator	from 3° ÷ 10° E (ask our engineers for types available)

### PNEUMATIC DATA

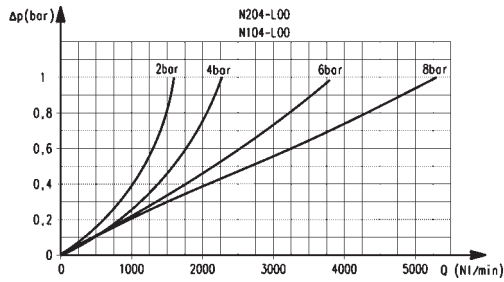
Operating pressure	1 ÷ 16 bar
Nominal flow	see graph
Min. air consumpt. for lubricat.	at 1 bar = 7,5 NI/min    at 6 bar = 11 NI/min

**CODING**

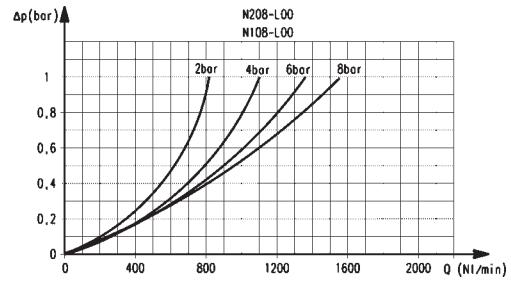


**FLOW DIAGRAMS**

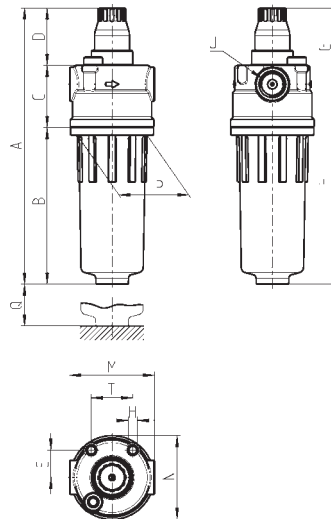
**N204-L00**



**M004-R00**



**Lubricator, Series N**



**DIMENSIONS**

Mod.	A	B	C	D	E	F	G	H	M	N	O	P	Q	T	U
<b>N108-L00</b>	122,5	59	33	30,5	14,5	75,5	40	M5	45	44,5	G1/8	38	46,5	22	G1/8
<b>N104-L00</b>	122,5	59	33	30,5	14,5	75,5	40	M5	45	44,5	G1/8	38	46,5	22	G1/4
<b>N208-L00</b>	146,5	83	33	30,5	14,5	106	40	M5	45	44,5	G1/8	38	46,5	22	G1/8
<b>N204-L00</b>	146,5	83	33	30,5	14,5	106	40	M5	45	44,5	G1/8	38	46,5	22	G1/4