

Pressure regulator Series N

Ports G1/8, G1/4

The Series N pressure regulator is available with G1/4 and G1/8 ports. Its design incorporates a self relieving diaphragm so as to allow decremental adjustments.



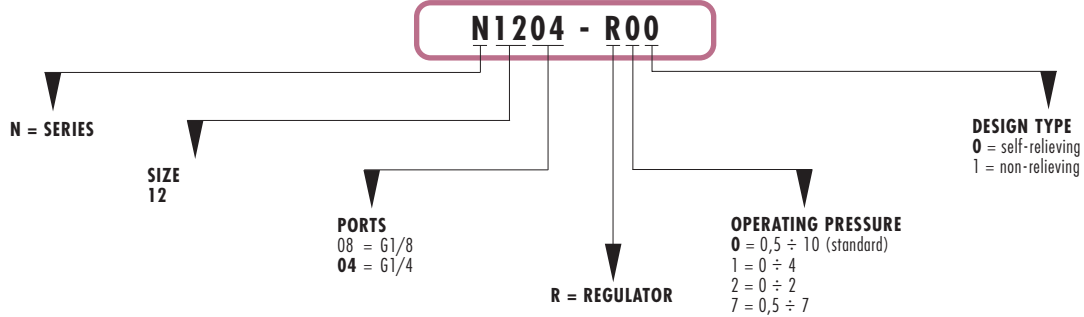
GENERAL DATA

Construction	diaphragm type
Materials	brass, technopolymer, NBR
Ports	G1/8 - G1/4
Weight	Kg 0.316
Pressure gauge ports	G1/8
Mounting	in-line or console (in any position)
Operating temperature	0°C ÷ 50°C

PNEUMATIC DATA

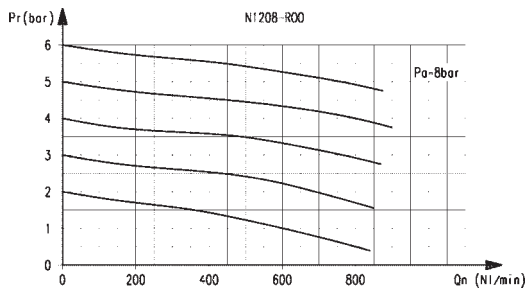
Inlet pressure	0 ÷ 16 bar
Outlet pressure	0.5 ÷ 10 bar
Nominal flow	see graphs
Secondary pressure relieving	standard

CODING

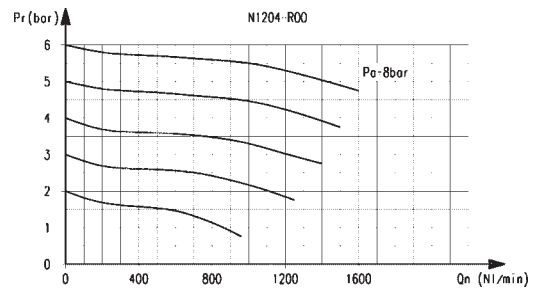


FLOW DIAGRAMS

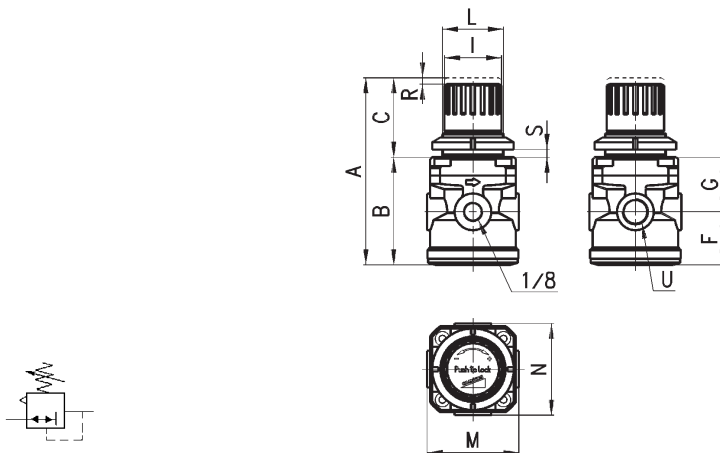
N1208-R00



N1204-R00



Pressure regulator, Series N



DIMENSIONS

Mod.	A	B	C	F	G	I	L	M	N	R	S	U
N1208-R00	92	53	39	26	27	28	30x1,5	45	45	3	0-6	G1/8 *
N1204-R00	92	53	39	26	27	28	30x1,5	45	45	3	0-6	G1/4 *

*regulators calibrated or block upon request

Pressure microregulator Series M

Ports G1/8, G1/4

The Series «M» pressure regulator is available with G1/8 and G1/4 ports. Its design incorporates a diaphragm and relieving so as to allow decremental adjustments as well.

Microregulators are available with different regulation types: non-relieving, very sensitive self-relieving (through a light air leak) and VS (valve with fast draining).

The regulator with sensitive self-relieving allows a more precise regulation.

These regulators, which have very small dimensions, may be mounted directly on pipes or on a console.



▶ Regulator calibrated or blocked upon request

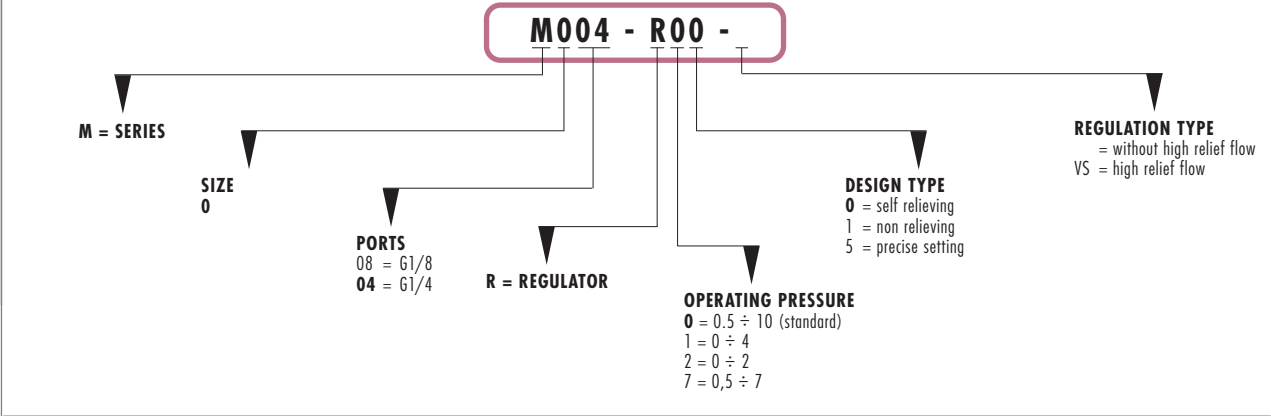
GENERAL DATA

Construction	diaphragm type
Materials	brass, technopolymer, NBR
Ports	G1/8 - G1/4
Weight	Kg 0.235
Pressure gauge ports	G1/8
Mounting	in-line or panel mounting (in any position)
Operating temperature	0°C ÷ 50°C

PNEUMATIC DATA

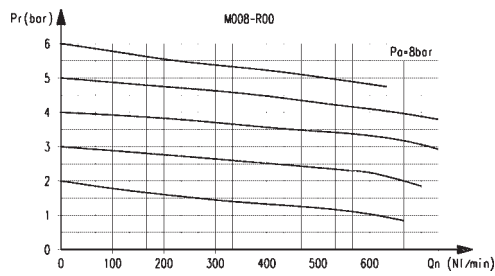
Inlet pressure	0 ÷ 16 bar
Outlet pressure	0.5 ÷ 10 bar
Nominal flow	see graphs
Secondary pressure relieving	standard

CODING

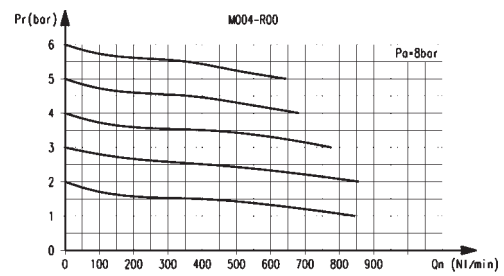


FLOW DIAGRAMS

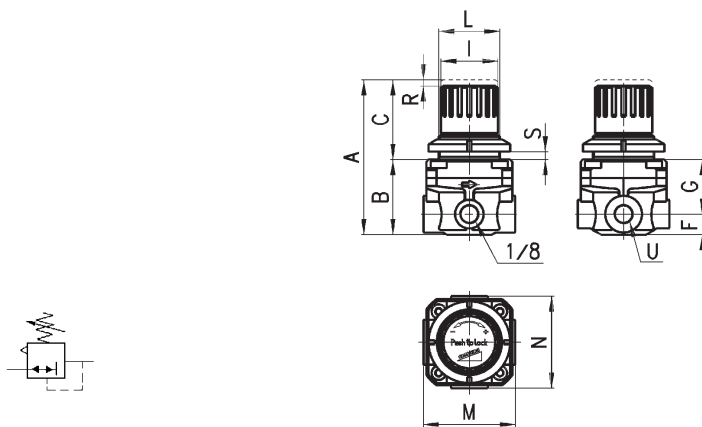
M008-R00



M004-R00



Microregulator, Series M



DIMENSIONS

Mod.	A	B	C	F	G	I	L	M	N	R	S	U
M008-R00*	76	37	39	10	27	28	30x1,5	45	45	3	0-6	G1/8 *
M004-R00*	76	37	39	10	27	28	30x1,5	45	45	3	0-6	G1/4 *

*regulators calibrated or block upon request