

Series T pressure microregulators

Ports G1/8 and G1/4



- » Extremely lightweight
- » Compact
- » In-line or console mounting

Series T pressure regulators are available with G1/8 and G1/4 brass connections. A self-relieving piston has been incorporated into the design to allow decreasing adjustments. Non-relieving versions are also available.

All models are equipped with a valve enabling fast draining (VS) which is useful when a regulator should be inserted between the valve and cylinder (or capacity) without any negative influence on the exhaust.

GENERAL DATA

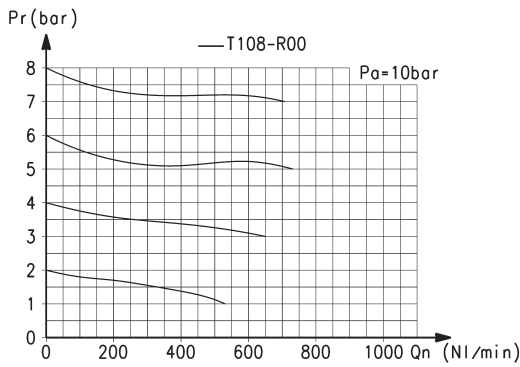
Construction	piston
Materials	technopolymer body and piston, stainless steel spring, brass inserts, NBR O-ring and poppet
Ports	G1/8 - G1/4
Weight	g 95
Pressure gauge ports	G1/8
Mounting	in-line or panel mounting (in any position)
Operating temperature	-5°C ÷ 50°C (with the dew point of the fluid lower than 2°C at the min. working temperature)
Inlet pressure	0 ÷ 12 bar
Outlet pressure	0, 5 ÷ 10 bar
Nominal flow	see graphs
Secondary pressure relieving	standard
Type of fluid	air and water. Special versions for other types of gas are available upon request.

CODING EXAMPLE

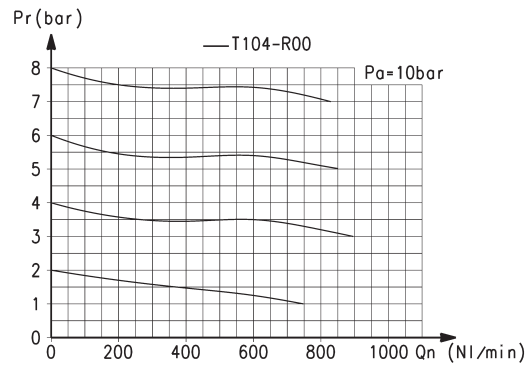
T	1	08	-	R	0	0
----------	----------	-----------	----------	----------	----------	----------

T	SERIES
1	SIZE
08	PORTS: 08 = G1/8 04 = G1/4
R	REGULATOR
0	OPERATING PRESSURE: 0 = 0,5 ÷ 10 1 = 0 ÷ 4 2 = 0 ÷ 2 7 = 0 ÷ 7 (standard)
0	DESIGN TYPE: 0 = self-relieving 1 = non relieving

FLOW DIAGRAMS

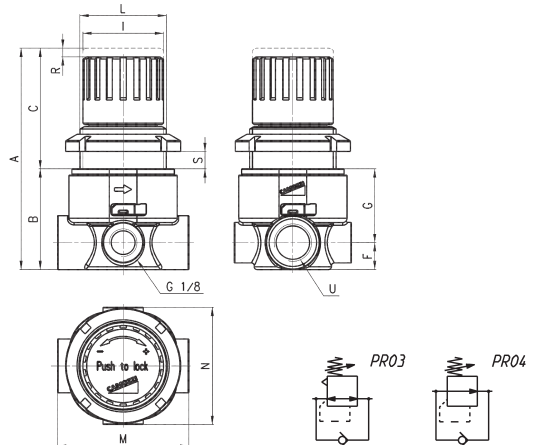


Flow diagram for model: T108-R00
Pa = Inlet pressure
Pr = Regulated pressure
Qn = Flow



Flow diagram for model: T104-R00
Pa = Inlet pressure
Pr = Regulated pressure
Qn = Flow

Series T pressure microregulator



DIMENSIONS

Mod.	A	B	C	F	G	I	L	M	N	R	S	U
T108-R00	77	35	42	9.5	25.5	28	M30X1.5	46	41	3	7	G1/8
T104-R00	77	35	42	9.5	25.5	28	M30X1.5	46	41	3	7	G1/4

PR03 = regulator with relieving and by-pass valve
PR04 = regulator without relieving

and with by-pass valve