

Compact minicylinders Series 14

Single-acting

Bores \varnothing 6, 10, 16 mm and strokes 5, 10, 15 mm

With super-rapid fitting \varnothing 4 and M5 port



- » Compact design
- » With threaded or non threaded piston rod
- » Threaded body

The single-acting compact minicylinder Series 14 has been designed for installation in small spaces. The design allows the cylinders to be inserted into threaded blocks incorporated in the machine.

All the minicylinders are supplied with a super-rapid fitting incorporated in a tube \varnothing 4 or with a M5 thread. They are available in two versions with either a threaded or a non threaded piston rod.

GENERAL DATA

Type of construction	compact, non magnetic
Operation	single-acting
Materials	body = brass seals = NBR other = stainless steel
Operating pressure	P. min 2,5 bar - P. max 8 bar
Operating temperature	0°C ÷ 80°C (with dry air - 20°C)
Fluid	clean air, without lubrication. If lubricated air is used, it is recommended to use oil ISOVG32. Once applied the lubrication should never be interrupted.
Bore	\varnothing 6, 10, 16
Stroke	see table
Mounting method	by means of threaded body

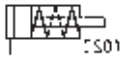
CODING EXAMPLE

14	N	1	A	06	A	05
-----------	----------	----------	----------	-----------	----------	-----------

14	SERIES	
N	VERSION N = non-magnetic	
1	OPERATION 1 = single-acting	PNEUMATIC SYMBOL CS01
A	TYPE OF CONNECTION A = tube Ø 4 M = thread M5	
06	BORE 06 = 6 mm - 10 = 10 mm - 16 = 16 mm	
A	TYPE OF DESIGN A = non-threaded smooth piston rod B = threaded piston rod	
05	STROKE 05 = 5 mm - 10 = 10 mm - 15 = 15 mm	

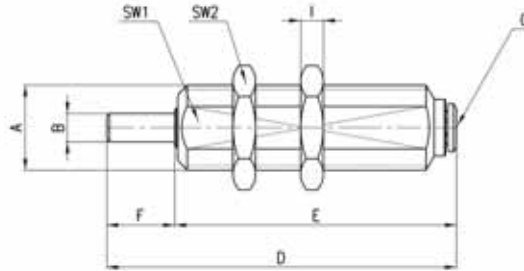
PNEUMATIC SYMBOLS

The pneumatic symbols which have been indicated in the CODING EXAMPLE are shown below.



Compact minicylinders with non threaded piston rod Mod. 14N1A

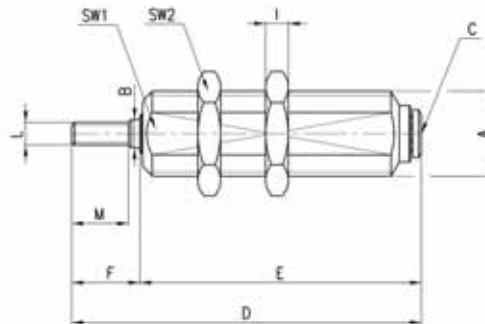
Super-rapid fitting incorporated



DIMENSIONS											
Mod.	Ø	STROKE	A	B	C	D	E	F	SW1	SW2	I
14N1A06A05	6	5	M10x1	3	412	34	29	5	9	12	3
14N1A06A10	6	10	M10x1	3	412	42	37	5	9	12	3
14N1A06A15	6	15	M10x1	3	412	47	42	5	9	12	3
14N1A10A05	10	5	M15x1,5	5	412	50	38	12	13	19	4
14N1A10A10	10	10	M15x1,5	5	412	57	45	12	13	19	4
14N1A10A15	10	15	M15x1,5	5	412	62	50	12	13	19	4
14N1A16A05	16	5	M22x1,5	6	412	53,5	39,5	14	20	27	5
14N1A16A10	16	10	M22x1,5	6	412	62	48	14	20	27	5
14N1A16A15	16	15	M22x1,5	6	412	67	53	14	20	27	5

Compact minicylinders with threaded piston rod Mod. 14N1A

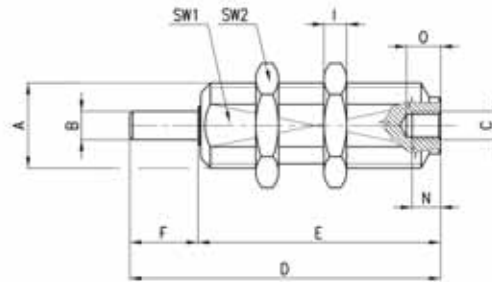
Super-rapid fitting incorporated



DIMENSIONS													
Mod.	Ø	STROKE	A	B	C	D	E	F	SW1	SW2	I	L	M
14N1A06B05	6	5	M10x1	3	412	38	29	9	9	12	3	M3x0,5	7
14N1A06B10	6	10	M10x1	3	412	46	37	9	9	12	3	M3x0,5	7
14N1A06B15	6	15	M10x1	3	412	51	42	9	9	12	3	M3x0,5	7
14N1A10B05	10	5	M15x1,5	5	412	50	38	12	13	19	4	M4x0,7	10
14N1A10B10	10	10	M15x1,5	5	412	57	45	12	13	19	4	M4x0,7	10
14N1A10B15	10	15	M15x1,5	5	412	62	50	12	13	19	4	M4x0,7	10
14N1A16B05	16	5	M22x1,5	6	412	53,5	39,5	14	20	27	5	M5x0,8	12
14N1A16B10	16	10	M22x1,5	6	412	62	48	14	20	27	5	M5x0,8	12
14N1A16B15	16	15	M22x1,5	6	412	67	53	14	20	27	5	M5x0,8	12

Compact minicylinders with non threaded piston rod Mod. 14N1M

Threaded port

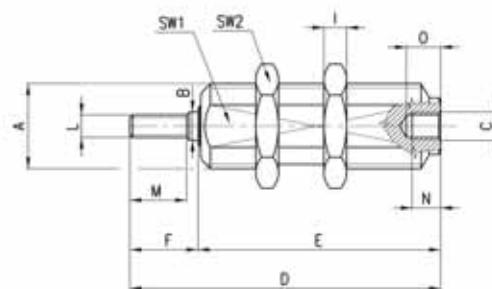


DIMENSIONS

Mod.	Ø	STROKE	A	B	C	D	E	F	SW1	SW2	I	N	O
14N1M06A05	6	5	M10x1	3	M5	28	23	5	9	12	3	5	6
14N1M06A10	6	10	M10x1	3	M5	36	31	5	9	12	3	5	6
14N1M06A15	6	15	M10x1	3	M5	41	36	5	9	12	3	5	6
14N1M10A05	10	5	M15x1,5	5	M5	43	31	12	13	19	4	5	6
14N1M10A10	10	10	M15x1,5	5	M5	50	38	12	13	19	4	5	6
14N1M10A15	10	15	M15x1,5	5	M5	55	43	12	13	19	4	5	6
14N1M16A05	16	5	M22x1,5	6	M5	46,5	32,5	14	20	27	5	5	6
14N1M16A10	16	10	M22x1,5	6	M5	55,5	41,5	14	20	27	5	5	6
14N1M16A15	16	15	M22x1,5	6	M5	60,5	46,5	14	20	27	5	5	6

Compact minicylinders with threaded piston rod Mod. 14N1M

Threaded port



DIMENSIONS

Mod.	Ø	STROKE	A	B	C	D	E	F	SW1	SW2	I	L	M	N	O
14N1M06B05	6	5	M10x1	3	M5	32	23	9	9	12	3	M3x0,5	7	5	6
14N1M06B10	6	10	M10x1	3	M5	40	31	9	9	12	3	M3x0,5	7	5	6
14N1M06B15	6	15	M10x1	3	M5	45	36	9	9	12	3	M3x0,5	7	5	6
14N1M10B05	10	5	M15x1,5	5	M5	43	31	12	13	19	4	M4x0,7	10	5	6
14N1M10B10	10	10	M15x1,5	5	M5	50	38	12	13	19	4	M4x0,7	10	5	6
14N1M10B15	10	15	M15x1,5	5	M5	55	43	12	13	19	4	M4x0,7	10	5	6
14N1M16B05	16	5	M22x1,5	6	M5	46,5	32,5	14	20	27	5	M5x0,8	12	5	6
14N1M16B10	16	10	M22x1,5	6	M5	55,5	41,5	14	20	27	5	M5x0,8	12	5	6
14N1M16B15	16	15	M22x1,5	6	M5	60,5	46,5	14	20	27	5	M5x0,8	12	5	6