



Solenoid valve 5/2 way Servocontrolled

512621W0B12-A

÷

512621W0B12-B

PRESENTATION:

Servocontrolled S.V. for interception of fluids compatible with the construction materials.

A minimum operational pressure of 1,3 bar is required.

The materials used and the tests carried out ensure maximum reliability and duration.

USE: Automation

PIPES: utransversal namur interface
pressure exhaust G 1/4

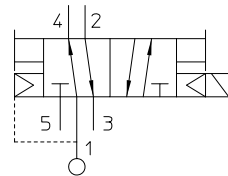
COILS: 5W - Ø 10
LBA 155°C (class F)
LBF - LBV 180°C (class H)

MOULDING AND BOBBIN ARE MADE BY 100% VIRGIN MATERIAL.

Max. allowable pressure (PS) 10 bar
Environment temperature:
with coil class **F** - 10°C + 60°C
with coil class **H** - 10°C + 80°C



Gaskets	Temperature		Medium
B=NBR (nitrile rubber)	- 10°C	+ 90°C	Lubricated air



2 POSITIONS
PNEUMATIC RETURN

Pipe ISO 228/1	Code	Max viscosity		Ø mm	Kv l/mn	Power (watt)	Pressure		
		cSt	°E				min bar	M.O.P.D. AC bar DC bar	
G 1/4	512621W0B12-A	-	-	6	6,5	5	1,3	10	10
	512621W0B12-B								

The "ODE" reserves the right to carry out technical and aesthetic modifications without prior notification.

MATERIALS:

Body	Aluminium
Armature tube	Stainless steel AISI series 300
Fixed core	Stainless steel AISI series 400
Plunger	Stainless steel AISI series 400
Phase displacement ring	Copper - Cu 99,9%
Spring	Stainless steel AISI series 300
Seal	B=NBR
Orifice	Aluminium

On request:

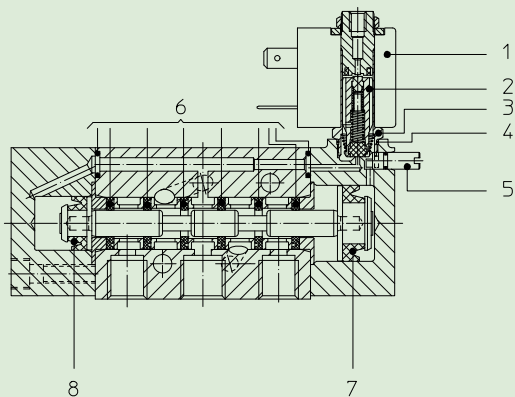
Connector	Pg 9 or Pg 11
Connector conformity	ISO 4400

FEATURES:

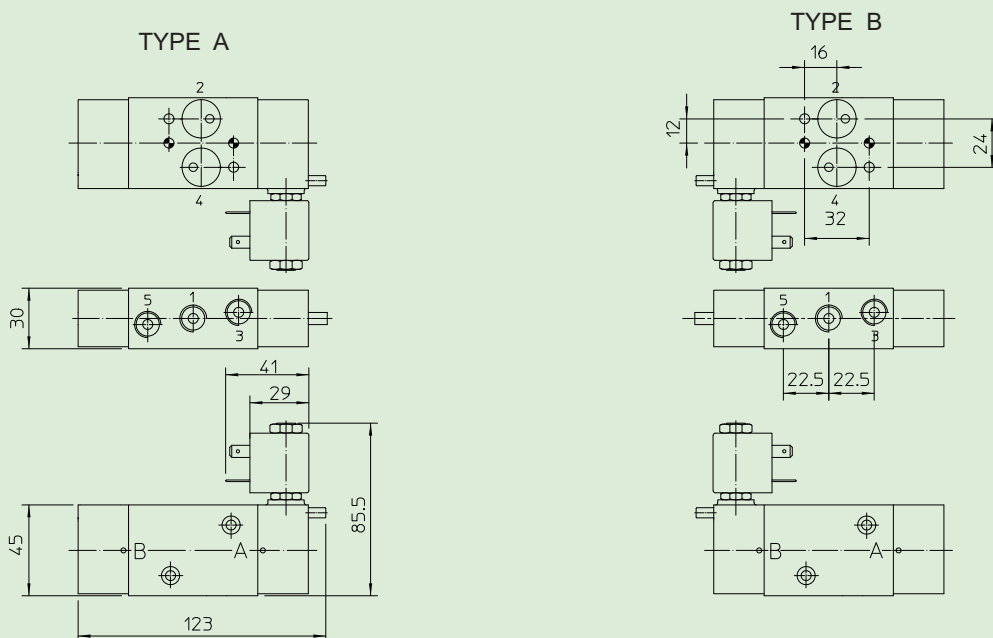
Electrical conformity	IEC 335
Protection degree	IP 65 EN 60529 (DIN 40050) with coil fitted by connector

SPARE PARTS:

- | | |
|---|---------------------------------------|
| 1. Coil:
See coils list | 8. Lip seal:
Code R990472/B |
| 2. Complete plunger:
Code R452061/B | KIT: |
| 3. Complete armature tube:
Code R452074 | KT100W0B25-FJ=2+3+4 |
| 4. Gasket O-Ring:
Code R990597/B | |
| 5. Manual operation:
Code R450576/B | |
| 6. Gasket Kit:
Code R451907/B | |
| 7. Lip seal:
Code R990473/B | |



DIMENSIONS:



COIL	POWER ABSORPTION		TYPE
	Inrush VA ~	Hold VA ~	
5 W	15	11	L