

## Pressure regulators Series MC

NEW

Ports G1/4, G3/8 and G1/2  
Modular

The Series MC pressure regulators are available with ports G1/4, G3/8 and G1/2. Normally they are available with relieving as standard. All versions can be panel mounted.

For modular assembly see page 6.09.002



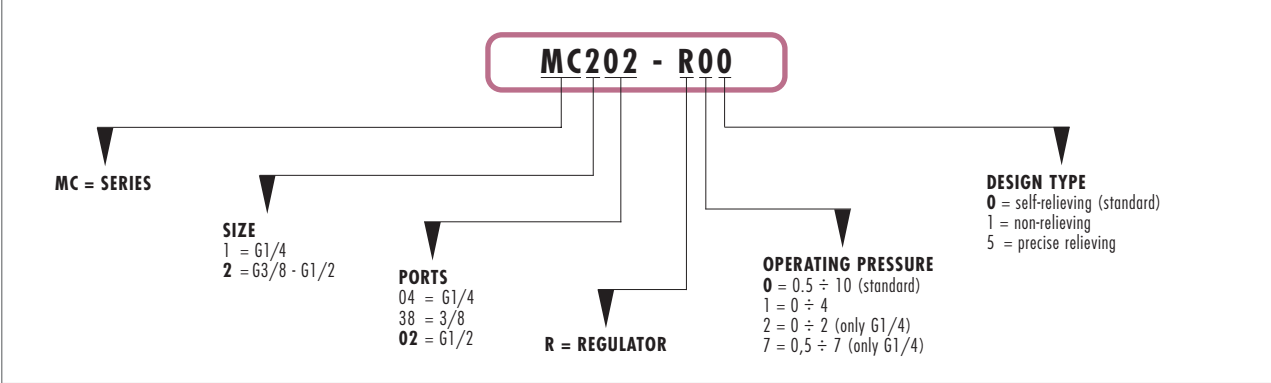
### GENERAL DATA

Construction	modular, compact, diaphragm type			
Materials	zama, brass, NBR, technopolymer			
Ports	G1/4	G3/8	G1/2	
Weight	kg	0,323	0,644	0,624
Pressure gauge ports	G1/8			
Mounting	in-line wall or console mounting (in any position)			
Operating temperature	0°C ÷ 50°C			
Finishing	enamelled			

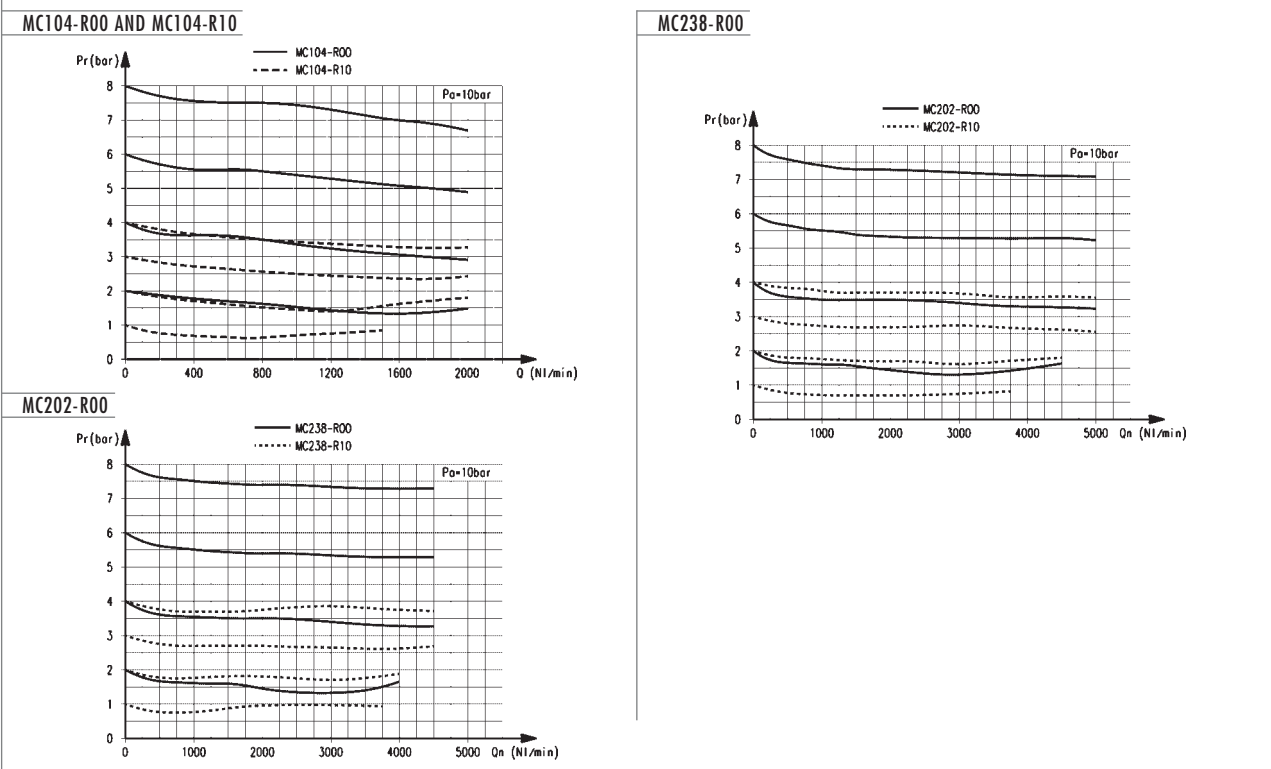
### PNEUMATIC DATA

Inlet pressure	0 ÷ 16 bar
Outlet pressure	0.5 ÷ 10 bar or 0 ÷ 4 bar
Nominal flow	see graph
Secondary pressure relieving	standard

**CODING**



**FLOW DIAGRAMS**



**Pressure regulators Series MC**



**DIMENSIONS**

Mod.	A	B	C	E	F	G	H	I	L	M	N	R	S	T	U
<b>MC104-R00</b>	94	56	38	11	28,5	27,5	4	28	30x1,5	45	45	3	0:6	35	G1/4
<b>MC238-R00</b>	127	67	60	14	34	35	5	45	47x1,5	62	60	3,5	0:9	46	G3/8
<b>MC202-R00</b>	127	67	60	14	34	35	5	45	47x1,5	62	60	3,5	0:9	46	G1/2

