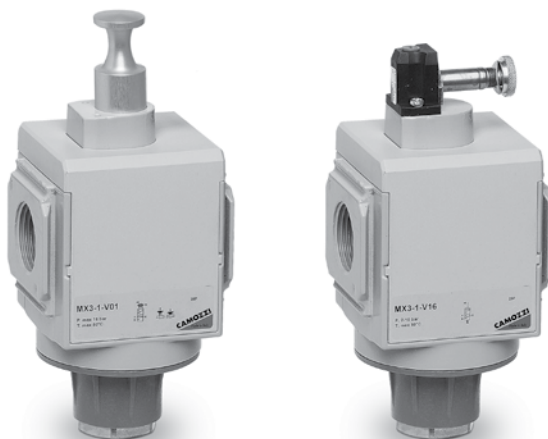


# Lockable isolation 3/2 way valves Series MX

Ports G3/4 - G1

Modular

Manual, electro-pneumatic, servo-pilot and pneumatic control



- » Standard tamperproof lock-out (manual valve)
- » One/more locks for the lock-out feature (manual valve)
- » Actuation at 24 V, 110 V or 230 V
- » Exhaust in atmosphere
- » Silencers available on request

The Series MX has been realized to offer a multi-sector solution that guarantees saving in terms of installation time, space and costs. A special configurator, available on Camozzi website at <http://catalogue.camozzi.com> (sec. Configurators), allows the customer to choose the most suitable solution for his application, selecting single components or by configuring assembled FRLs.

**Manual isolation valves:** ideal to allow an easy access to the FRL group. The system is depressurized with the de-activation of the valve.

**Electropneumatic isolation valves:** ideal where manual access is difficult, they allow a maximum positioning flexibility and are designed to pressurize or depressurize pneumatic systems. The built-in manual override guarantees security in case of an emergency.

## GENERAL DATA

<b>Construction</b>	modular, compact, spool-type
<b>Materials</b>	see TABLE OF MATERIALS (pag. 3/1.35.01)
<b>Ports</b>	G3/4 - G1
<b>Weight</b>	Manual valve = 0,75 kg Electro-pneumatic valve (V16) = 0,8 kg Pneumatic valve (V36) = 0,8 kg Servo-pilot valve (V17) = 0,87 kg
<b>Mounting</b>	in-line wall-mounting (by means of clamps)
<b>Operating temperature</b>	-5°C + 50°C up to 16 bar (with the dew point of the fluid lower than 2°C at the min. working temperature) -5°C + 60°C up to 10 bar (with the dew point of the fluid lower than 2°C at the min. working temperature)
<b>Operating pressure</b>	2 + 10 bar (in the pneumatic version - 0,8 + 10 bar )
<b>Nominal flow</b>	see FLOW DIAGRAMS (pag. 3/1.35.03 e 3/1.35.04)
<b>Nominal exhaust flow at 6 bar with <math>\Delta p = 1</math> bar</b>	G3/4 - G1 = 9200 NI/m
<b>Fluid</b>	compressed air

3

TREATMENT

**CODING EXAMPLE**

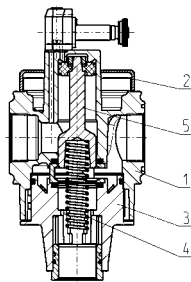
<b>MX</b>	<b>3</b>	<b>-</b>	<b>3/4</b>	<b>-</b>	<b>V</b>	<b>01</b>
-----------	----------	----------	------------	----------	----------	-----------

<b>MX</b>	SERIES
<b>3</b>	SIZE: 3 = G3/4 - G1
<b>3/4</b>	PORT: 3/4 = G3/4 1 = G1
<b>V</b>	3/2 WAY VALVE
<b>01</b>	DESIGN TYPE: 01 = lockable manual control 16 = electro-pneumatic control 17 = servo-pilot control 36 = pneumatic control

For the assembly of a single component with fixing flanges or wall-mounting, see the section "FRL Series MX Assembled" (pag. 3/1.50.01)

Lockable isolation 3/2 way valves Series MX - materials

**New**



PARTS	MATERIALS
<b>1 = Body</b>	Aluminium
<b>2 = Covering</b>	Polyacetal
<b>3 = Valve holder plug</b>	Polyacetal
<b>4 = Lower spring</b>	Zinc-plated steel
<b>5 = Spool</b>	Stainless steel (MX...V16 - V17 - V36) Aluminium (MX...V01)
<b>Seals</b>	NBR

FLOW DIAGRAM for valves Mod. MX...V01

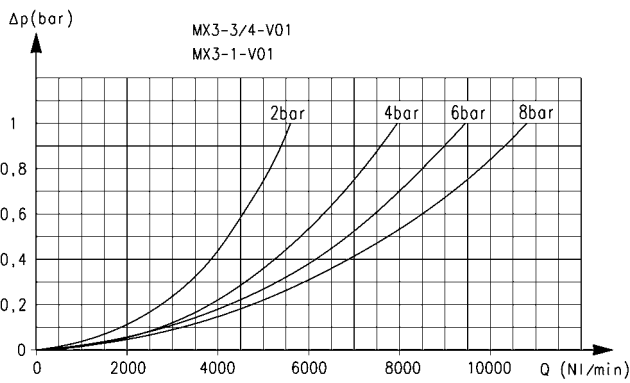


Diagram for lockable manual control valves

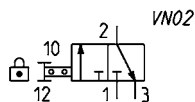
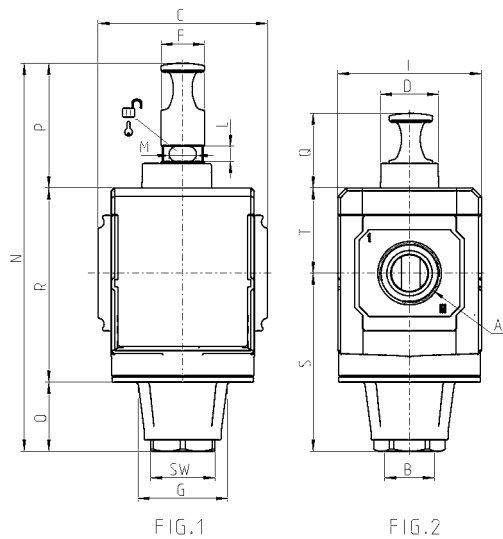
$\Delta p$  = Pressure drop  
Q = Flow

3

TREATMENT

Lockable manual valves Series MX - dimensions

Fig. 1 = closed valve  
Fig. 2 = open valve



Mod.	A	B	C	D	F	G	I	L	M	N	O	P	Q	R	S	SW	T
<b>MX3-3/4-V01</b>	G3/4	G3/4	89,5	31	23	48	76	8	14,5	205,5	37	66,5	40	102	94,5	34	44,5
<b>MX3-1-V01</b>	G1	G3/4	89,5	31	23	48	76	8	14,5	205,5	37	66,5	40	102	94,5	34	44,5

FLOW DIAGRAM for valves Mod. Mod. MX...V16 - MX...V17 - MX...V36

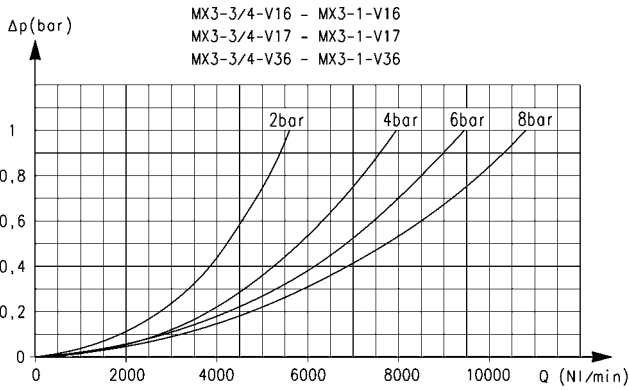
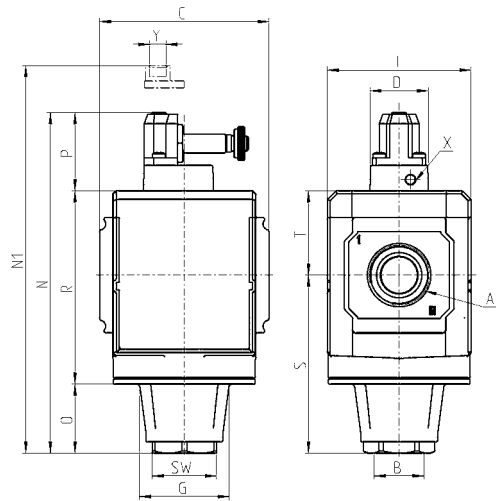


Diagram for electro-pneumatic, servo-pilot or pneumatic control valves

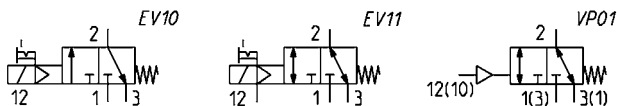
$\Delta p$  = Pressure drop  
Q = Flow

3/2 Isolation valves Series MX - dimensions

Electro-pneumatic, servo-pilot or pneumatic valves



- EV10 = solenoid valve, 3/2 NC, monostable, with bistable manual override
- EV11 = solenoid valve, 3/2, monostable, solenoid pilot with separate air supply and bistable manual override
- VP01 = pneumatically operated valve, 3/2, monostable, mechanical spring



Mod.	A	B	C	D	G	I	N	N1	O	P	R	S	SW	T	X	Y	Symbol
MX3-3/4-V16	G3/4	G3/4	89,5	31	48	76	180,5	-	37	41,5	102	94,5	34	44,5	-	-	EV10
MX3-1-V16	G1	G3/4	89,5	31	48	76	180,5	-	37	41,5	102	94,5	34	44,5	-	-	EV10
MX3-3/4-V17	G3/4	G3/4	89,5	31	48	76	180,5	-	37	41,5	102	94,5	34	44,5	M5	-	EV11
MX3-1-V17	G1	G3/4	89,5	31	48	76	180,5	-	37	41,5	102	94,5	34	44,5	M5	-	EV11
MX3-3/4-V36	G3/4	G3/4	89,5	31	48	76	-	164	37	-	102	94,5	34	44,5	-	G1/8	VP01
MX3-1-V36	G1	G3/4	89,5	31	48	76	-	164	37	-	102	94,5	34	44,5	-	G1/8	VP01