

## Lockable isolation 3/2-way valve Series MC

NEW

Ports G1/4, G3/8 and G1/2  
Modular

These valves are designed so that the downstream air pressure can be vented and the valve locked in the non passing condition to allow to work to be carried out with greater safety on pneuatically actuated equipment. Positioning of these valves is often before the FRL unit.

The lockable isolation valve is available with ports G1/4, G3/8 and G1/2 and can be panel mounted.

For modular assembly see page 6.09.002



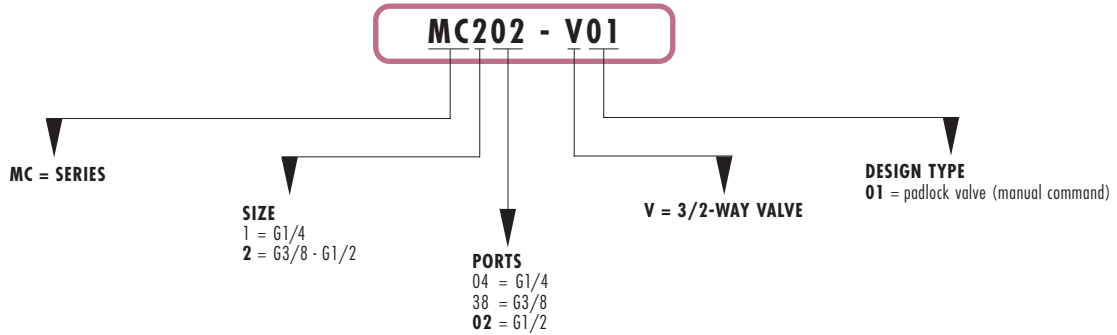
### GENERAL DATA

Construction	modular assembly, compact, poppet type			
Materials	zama, NBR, technopolymer			
Ports	G1/4	G3/8	G1/2	
Weight	kg	0,277	0,536	0,514
Mounting	in-line , wall or panel mounting (in any position)			
Operating temperature	0°C ÷ 50°C			
Finish	enamelled			

### PNEUMATIC DATA

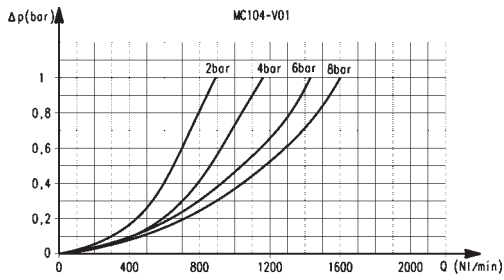
Operating pressure	0 ÷ 16 bar		
Nominal flow	see graphs		
Nominal flow in the exhausted direction	G1/4 1080 NI/min, G3/8 2380 NI/min, G1/2 2380 NI/min		
	flow determined at 6 bar with $\Delta P = 1$ bar		

**CODING**

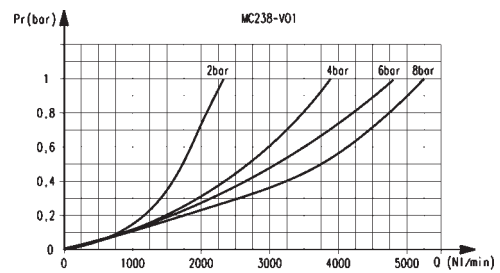


**FLOW DIAGRAMS**

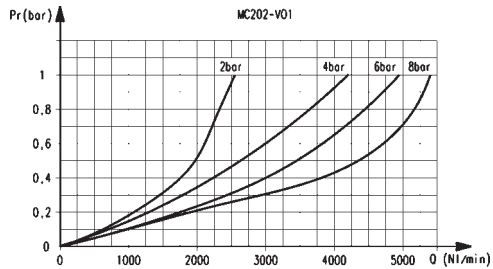
**MC104-V01**



**MC238-V01**



**MC202-V01**



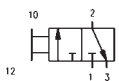
**Lockable isolation valve Series MC**

Actuating force at 6 bar:

MC104-V01=29N

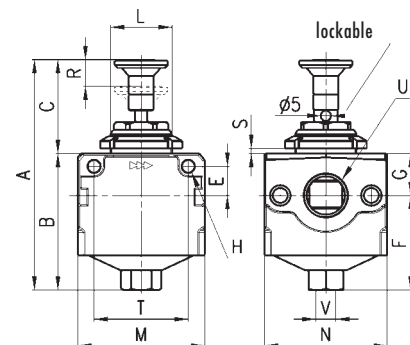
MC238-V01=31N

MC202-V01=31N



**DIMENSIONS**

Mod.	A	B	C	E	F	G	H	L	M	N	R	S	T	U	V
<b>MC104-V01</b>	96,5	54,5	42	11	38,5	16	4	30x1,5	45	45	9	0:6	35	G1/4	G1/8
<b>MC238-V01</b>	113	67	46	14	46,5	20,5	5	30x1,5	62	60	13	0:6	46	G3/8	G1/4
<b>MC202-V01</b>	113	67	46	14	46,5	20,5	5	30x1,5	62	60	13	0:6	46	G1/2	G1/4



## Electropneumatic/pneumatic isolation valve Series MC

NEW

Ports G1/4, G3/8 e G1/2  
Modulare

These 3/2 way valves are designed to block the air at the inlet of the FRL group and so pressurise and depressurise the equipment. The valves can either be electropneumatically or pneumatically operated and can be supplied with port G1/4, G3/8 and G1/2. In case of the electropneumatically operated valve use coil type U70 or G70 (Max. 3W / V.A.).

For modular assembly see page 6.09.002



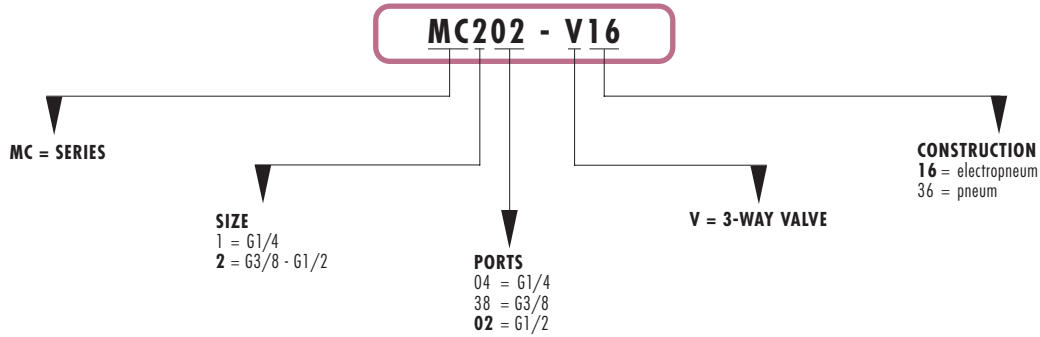
### GENERAL DATA

Construction	compact, poppet-type			
Materials	zama, NBR, technopolymer			
Ports	G1/4	G3/8	G1/2	
Weight	kg	0,314	0,692	0,670
Mounting	in-line wall or panel mounting (in any position)			
Operating temperature	0°C ÷ 50°C			
Finish	enamelled			

### PNEUMATIC DATA

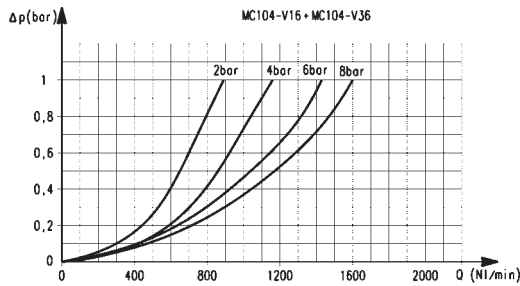
Operating pressure	2 ÷ 10 bar		
Nominal flow	see graphs		
Outlet flow	G1/4 1080 NI/min, G3/8 2500 NI/min, G1/2 2500 NI/min		
Flows determined	at 6 with $\Delta P = 1$ bar		

**CODING**

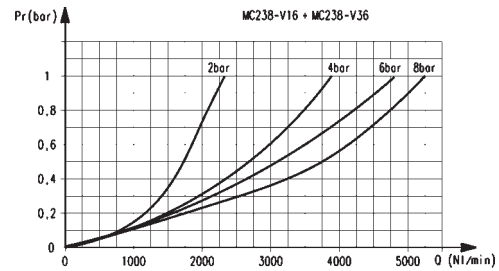


**FLOW DIAGRAMS**

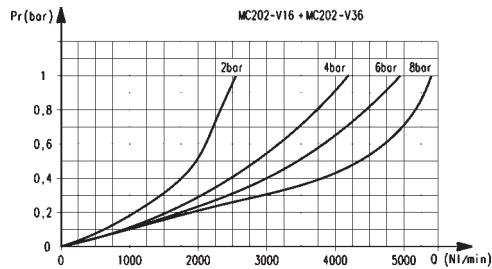
MC104-V16 + V36



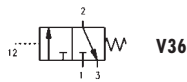
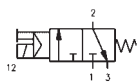
MC238-V01 + V36



MC202-V16 + V36



**Lockable isolation valves Series MC**

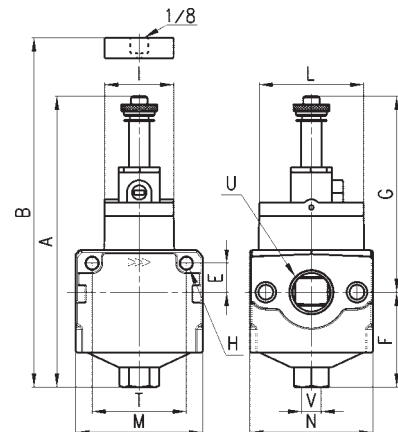


**DIMENSIONS**

Mod.	A	B	E	F	G	H	I	L	M	N	T	U	V
<b>MC104-V16</b>	120	-	11	38,5	81,5	4	22	32	45	45	35	G1/4	G1/8
<b>MC238-V16</b>	142,5	-	14	46,5	96	5	33,5	51	62	60	46	G3/8	G1/4
<b>MC202-V16</b>	142,5	-	14	46,5	96	5	33,5	51	62	60	46	G1/2	G1/4

**DIMENSIONS**

Mod.	A	B	E	F	G	H	I	L	M	N	T	U	V
<b>MC104-V36</b>	-	77,5	11	38,5	-	4	22	32	45	45	35	G1/4	G1/8
<b>MC238-V36</b>	-	93,5	14	46,5	-	5	33,5	51	62	60	46	G3/8	G1/4
<b>MC202-V36</b>	-	93,5	14	46,5	-	5	33,5	51	62	60	46	G1/2	G1/4



The company reserves the right to vary models and dimensions without notice. These products are designed for industrial applications and are not suitable for sale to the general public.